

**871CC Contacting Conductivity/Resistivity
Sensors and Accessories**

Contents

Figures	5
Tables	7
1. Introduction	9
General	9
Reference Documents	9
Model Code	10
Standard Specifications.....	11
Theory of Operation	12
Electrical Safety Specifications	15
Sensor Identification	16
Sensor Applications	17
2. Installation	19
General Installation Guidelines	19
Installation of Sensor Types -A, -E, and -K.....	19
Installation of Sensor Type -B.....	20
Installation of Sensor Types -C and -L.....	22
Installation of Sensor Type -E.....	22
Installation of Sensor Types -D and -M	23
Removal of Gate-Valve Insertion Sensor	26
Junction Box Installation.....	27
Junction Box Mounting.....	27
Junction Box Wiring	28
Wiring	29
3. Calibration	33
Sensors with 0.1 cm ⁻¹ Cell Factor.....	33
Determining Temperature Cell Factor (tCF)	34
Sensors with 0.1 cm ⁻¹ or 10 cm ⁻¹ Cell Factor	34
4. Maintenance.....	35
Process Temperature versus Temperature Sensor Resistance	35
Electrode Inspection.....	35
Electrode Cleaning.....	36

Figures

1	Sensors	11
2	Sensor Identification	16
3	Installation of Sensor Types -A, -F, and -K.....	19
4	Installation of Sensor Type -B.....	20
5	Installation of Sensor Types -C and -L.....	22
6	Installation of Sensor Type -E.....	23
7	Disassembly of Locknut and Housing Nut.....	24
8	Assembly of Parts Onto Gate-Valve Insertion Sensor Cable.....	24
9	Assembly of Gate-Valve Insertion Sensor.....	25
10	Installation of Insertion Sensor into Gate Valve and Process	25
11	Removal of Gate-Valve Insertion Sensor	26
12	Junction Box Wiring	28
13	Basic Wiring Diagram for 871CC Sensors.....	29
14	Metal Rear Panel Wiring - 873RS or 873CC	29
15	Plastic Rear Panel Wiring - 873RS or 873CC.....	29
16	Metal Rear Panel Wiring - 873ARS or 873ACC.....	30
17	Plastic Rear Panel Wiring - 873ARS or 873ACC.....	30
18	870ITCR Wiring Connections.....	30
19	875CR Wiring Connections	31
20	876CR Wiring Connections	31
21	Sensor Identification	33
22	Immersion Portion of Sensors	36

Tables

1	Pressure and Temperature Limits, Conductivity and Resistivity Ranges, and Temperature Compensation.....	13
2	Process Wetted Parts.....	14
3	Electrical Safety Specifications.....	15
4	Hex-head Bushing Specifications.....	21
5	Flow Chamber Specifications.....	22
6	Gate-Valve Specifications.....	23
7	Process Temperature vs. Temperature Sensor Resistance.....	35

1. Introduction

General

The 871CC Sensors are used with 873RS, 873CC, 873ARS, and 873ACC Analyzers, 870CC Transmitters, 870ITCR and 876CR Intelligent Transmitters, and 875CR Intelligent Analyzers. These sensors measure the conductivity or resistivity of a solution by applying alternating wave and form across a set of electrodes which are in actual contact with the process fluid.

Reference Documents

Document Number	Description
Instructions	
MI 611-157	870CC Transmitters (Contacting Conductivity)
MI 611-166	873CC Series Electrochemical Analyzer for Contacting Conductivity
MI 611-168	873RS Series Electrochemical Analyzer for Resistivity Measure
MI 611-192	873ACC Electrochemical Analyzer for Contacting Conductivity
MI 611-194	873ARS Electrochemical Analyzer for Resistivity
MI 611-216	870ITCR Intelligent Transmitter for Contacting Conductivity/Resistivity
MI 611-222	875CR Intelligent Analyzer for Contacting Conductivity/Resistivity
MI 611-260	876CR Intelligent Electrochemical Transmitter for Contacting Conductivity and Resistivity Measurements
Dimensional Prints	
DP 611-131	871CC Contacting Conductivity Sensor 3/4 NPT Threaded Bushing (-A, -H)
DP 611-132	871CC Contacting Conductivity Sensor Universal Mounted (-B, -J)
DP 611-133	871CC Contacting Conductivity Sensor Sanitary Flange Mounted (-C)
DP 611-134	871CC Contacting Conductivity Sensor Insertion Type (-D)
DP 611-135	871CC Contacting Conductivity Sensor Twist-Lock Mounted (-E)
DP 611-091	Flow Chambers Used With Conductivity Sensors
DP 611-092	Flanges (316 ss) Used With Conductivity Sensors
DP 611-093	Twist-Lock Bushing (316 ss) Used With Conductivity Sensors
DP 611-094	Twist-Lock Bushing (PVC) Used With Conductivity Sensors
DP 611-105	Universal Mounting Bushing Used With Conductivity Sensors
DP 611-117	Gate-Valve Assembly (GVI - 2)
DP 611-120	Gate-Valve Assembly
DP 611-136	871CC Contacting Conductivity Sensor With 3/4 NPT Threaded Bushing and 1/2 NPT Conduit Connection (-F)
DP 611-260	Model 876PH, 876EC, and 876CR Intelligent Transmitters

Model Code

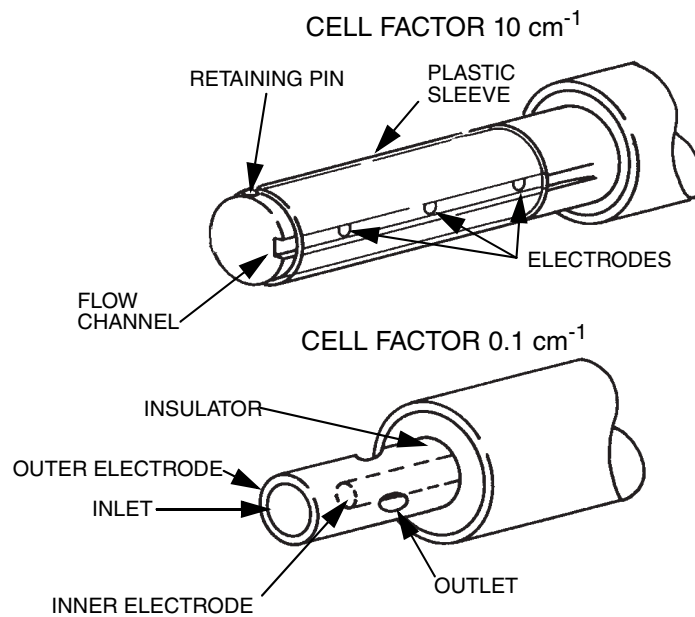
<u>Description</u>	<u>Model</u>
Contacting Conductivity or Resistivity Sensor (a)	871CC
Sensor Mounting and Transducer	
Threaded Bushing, 3/4 NPT, Universal,	Thermistor, 100 k Ω -A
Sanitary,	Thermistor, 100 k Ω -B
Insertion,	Thermistor, 100 k Ω -C
Twist-Lock,	Thermistor, 100 k Ω -D
Threaded Bushing, 3/4 NPT with 1/2 NPT Conduit Connector,	Thermistor, 100 k Ω -E
Dip Sensor,	Thermistor, 100 k Ω -F
Threaded Bushing, 3/4 NPT, High Temperature (b),	Thermistor, 100 k Ω -G
Sanitary, High Temperature (b),	RTD, 100 Ω -K
Insertion, High Temperature (b),	RTD, 100 Ω -L
	RTD, 100 Ω -M
Cell Factor and Electrode Material	
0.1 cm ⁻¹ , Titanium	2
10 cm ⁻¹ , Graphite	4
0.1 cm ⁻¹ , Monel [®] (Mounting Codes -A, -G, and -K only)	6
Optional Selections (c)	
Nonstandard Cable Length (Specify length) (d)	-3
No Spade Lug Terminals Attached to End of Cable	-4
Nonstandard Length Integral Cable Terminated in Connector.	-5
Specify Length. For Mounting Codes -A and -G only. (d) (e)	
Integral Connector on Sensor. For Mounting Code -A only. (e) (f)	-6
Standard Length 6 m (20 ft) Integral Cable Terminated in Connector.	-7
For Mounting Codes -A and -G only. (e) (f)	
Cell Factor Determined in Pure Water Loop	-9
Examples: 871CC-B2; 871CC-A4-34 (40 ft); 871CC-A2-349 (20 m)	

- When an 871CC Series sensor is used with 873RS, 873ARS, 873CC, or 873ACC Series analyzer, Option Code -4 must be specified.
- The -K, -L, and -M sensors contain an integral 100 Ω RTD for automatic temperature compensation. This RTD is compatible with 873RS, 873ARS, 873CC, 873ACC, and 875CR Series Analyzers, and 870ITCR and 876CR Transmitters. No temperature compensation can be applied when used with 870CC Series Transmitters.
- Except for Option Codes -3, -4, and -9 which may be combined (e.g., -34, -349, etc.), only one Option Code may be specified.
- Maximum cable length:
 - for 870CC, 870ITCR, and 876CR Transmitters and 875CR Analyzer, 33 m (100 ft);
 - for 873RS, 873ARS, 873CC, and 873ACC Analyzers, 152 m (500 ft).
- Requires use of Patch Cord; part numbers as follows:
 - BS805UA, for 3 m (10 ft) length
 - BS805UB, for other lengths per Sales Order up to 33 m (100 ft).
- Not recommended for resistivity measurement.

Standard Specifications

Sensor Type	Electrode Contacting Conductivity or Resistivity Sensor
Cell Factor	0.1 cm ⁻¹ or 10 cm ⁻¹ , as specified
Measurement Range	See Table 1.
Cable Length	6 m (20 ft) (standard)
Other Lengths - 873RS, 873ARS, 873CC, 873ACC	Up to 152 m (500 ft)
Other Lengths - 870CC, 870ITCR, 875CR, 876CR	Up to 33 m (100 ft)
Transportation and Storage Temperature Limits	-48 and +125°C (-55 and +255°F)
Temperature and Pressure Limits	See Table 1.
Temperature Compensation	See Table 1.
Process-Wetted Materials	See Table 2.

Figure 1. Sensors



Theory of Operation

871CC Sensors are “two electrode contacting conductivity sensors” used to measure conductivity or resistivity of process fluids. These measurement techniques do not measure specific ions; they cannot distinguish one ion type from another, but this technique has been used effectively, for example, to measure water purity or in the analysis of binary mixtures of electrolytes.

Conductance (or its reciprocal, resistance) is an electrical property of solutions that arises from the presence of electrically charged ions in electrolytes. When a conductance cell is placed in this solution and an electrical potential is applied across its electrodes, a current flows as the ions migrate; the cations to the positively charged anode and the anions to the negatively charged cathode. In practice, a small amplitude alternating voltage is applied to prevent measurement errors due to electrolysis. The magnitude of the resulting alternating current flow is related to the number of charge carriers present and therefore the concentration of the electrolyte may be inferred from the conductance measurement.

Conductivity and resistivity are the more familiar terms used in the measurements of solutions. Specific conductivity, or more commonly conductivity, is the conductance as measured between opposite faces of a 1 cm cube of the solution. Bulk material measurements utilize this “reference state” and conductivity rather than conductance. The conductivity reading shows an almost direct relationship with impurities in the water and is the technique commonly seen in feedwater and pretreatment processes.

For ultrapure and pure water applications, a cell factor of 0.1 cm^{-1} is selected and measurements are usually expressed as resistivity in units of $\text{M}\Omega\cdot\text{cm}$ or in conductivity in units of $\mu\text{S}/\text{cm}$. Ultrapure water applications benefit from resistivity measurements because it more effectively resolves the range of interest. For more conductive solutions, a cell factor of 10 cm^{-1} is used and measurements are expressed in mS/cm . When cells are interfaced to Foxboro analyzers or transmitters, effects of temperature on measurements can be compensated and readout in appropriate units can be displayed.

— **NOTE** —

1 $\text{mS}/\text{cm} = 1000 \mu\text{S}/\text{cm}$.

The 0.1 cm^{-1} cell has two electrodes constructed with concentric cylinders which must be in contact with the solution being measured. The two electrodes are separated by an insulator inside the electrode. The 10 cm^{-1} cell utilizes two graphite buttons for its measurement electrodes. A third electrode in the sensor eliminates a parallel measurement path that could occur outside of the electrode.

Table 1. Pressure and Temperature Limits, Conductivity and Resistivity Ranges, and Temperature Compensation

Body Code	Temperature Limits (a) (b)	Pressure Limits	Applicable Conductivity and Resistivity Ranges (c)		Temperature Compensator (Integral)
			Cell Factor 0.1 cm ⁻¹ (d)	Cell Factor 10 cm ⁻¹	
-A to -G	0 and 120°C (32 and 250°F)	-0.1 and +1.4 MPa (-15 and +200 psi)	From 0 to 1 through 0 to 200 μS/cm Conductivity Range	0 to 200 μS/cm through 0 to 20 mS/cm Conductivity Range	100 kΩ thermistor for use with 873RS, 873ARS, 873CC, 873ACC, and 875CR analyzers; 870CC, 870ITCR, and 876CR transmitters.
-K to -M	120°C at 3.4 MPa (250°F at 500 psi); 150°C at 2.5 MPa (300°F at 375 psi); 175°C at 1.7 MPa (350°F at 250 psi) (e)		From 0 to 2 through 0 to 20 MΩ•cm Resistivity Range (f)		100 Ω platinum RTD for use with 873RS, 873ARS, 873CC, 873ACC, and 875CR analyzers; 870ITCR and 876CR transmitters. (g)

- a. Temperature limits for optimum performance and compensation: 871CC-A through 871CC-G = 15 and 40°C (60 and 105°F); 871CC-K through 871CC-M = 15 and 80°C (60 and 175°F).
- b. Recalibration is recommended for 10 cm⁻¹ cell-factor sensors after exposure to elevated temperatures. Refer to the "Calibration" chapter in the MI.
- c. Ranges shown are typical. For specific range capability, refer to the applicable analyzer or transmitter specifications.
- d. All 0.1 cm⁻¹ cell-factor sensors with Body Codes A through M are labeled with the exact cell factor and temperature cell factor. All 0.1 cm⁻¹ cell-factor sensors are constructed and tested for an accuracy of better than ±2%.
- e. Specifications are for 0.1 cm⁻¹ cell-factor sensors only. Maximum temperature for 10 cm⁻¹ cell-factor sensor is 150°C at 2.5 MPa (300°F at 375 psi).
- f. Specify Option Code -9.
- g. If -K, -L, or -M sensor is to be used with 870CC Series Transmitters, no automatic temperature compensation can be applied. RTDs are not supported in these instruments.

Table 2. Process Wetted Parts

Cell Factor	Body Code	Seals/O-Rings	Insulator (a)	Removable Sheath (b)	Fittings	Electrodes
Sensors with 3/4 NPT Bushing or Twist-Lock Process Connection						
0.1 cm ⁻¹	-A	EPDM	Ryton®	None	Teflon®-S coated 300 grade ss bushing	Titanium or Monel®, as specified by Model Code
	-F	EPDM	Ryton	None		
	-K	EPDM	PCTFE	None		
	-E	EPDM	Ryton	None	Twist Lock	
10 cm ⁻¹	-A	EPDM	Noryl®	PTFE	Teflon-S coated 300 grade ss bushing	High density graphite encapsulated in gold-plated cups
	-F	EPDM	Noryl	PTFE		
	-K	EPDM	PCTFE	PTFE		
	-E	EPDM	Noryl	PTFE	Twist Lock	
Universal-Mount, Insertion, and Dip Sensors						
0.1 cm ⁻¹	-B	EPDM	Ryton	None	316 ss	Titanium or Monel, as specified by Model Code
	-G	EPDM	Ryton	None	Noryl	
	-D	EPDM	Ryton	None	316 ss (includes insertion shaft)	
	-M	EPDM	PCTFE	None		
10 cm ⁻¹	-B	EPDM	Noryl	PTFE	316 ss	High density graphite encapsulated in gold-plated cups
	-G	EPDM	Noryl	PTFE	Noryl	
	-D	EPDM	Noryl	PTFE	316 ss (includes insertion shaft)	
	-M	EPDM	PCTFE	PTFE		
Sensors with Sanitary (Tri-Clamp®) Fittings						
0.1 cm ⁻¹	-C	EPDM	Ryton	None	316 ss	Titanium or Monel, as specified by Model Code
	-L	EPDM	PCTFE	None	316 ss	
10 cm ⁻¹	-C	EPDM	Noryl	PTFE	316 ss	High density graphite encapsulated in gold-plated cups
	-L	EPDM	PCTFE	PTFE	316 ss	

a. Ryton is polyphenylene sulfide; PCTFE is polychlorotrifluoroethylene.

b. PTFE is polytetrafluoroethylene.

Electrical Safety Specifications

— NOTE —

These sensors have been designed to meet the electrical safety descriptions listed in Table 3. For detailed information, or status of testing laboratory approvals/certifications, contact Global Customer Support.

Table 3. Electrical Safety Specifications

Testing Laboratory, Types of Protection, and Area Classification	Application Conditions	Electrical Safety Design Code
ATEX Type n energy limited for II 3 GD EEx nL IIC, Zone 2.	Connect to instrument per MI 611-208. Temperature Class T3 - T6. T110°C - T260°C	CS-E/ANN
ATEX intrinsically safe for II 1 GD EEx ia IIC, Zone 0.	Connect to instrument per MI 611-208. Temperature Class T3 - T6. T110°C - T260°C	CS-E/AAA
CSA intrinsically safe for Class I, Division 1, Groups A, B, C, and D; Class II, Division 1, Groups E, F, and G.	Connect to 870CC transmitter per MI 611-206.	CS-E/CB-A
CSA Class I, Division 2, Groups A, B, C, and D hazardous locations.	Connect to 873CC or 873ACC Analyzer with Supply Voltage Code -A, -E, or -J, and Enclosure Code W, X, Y, or Z. Connect per MI 611-206.	CS-E/CN-A
CSA suitable for Class I, Division 2, Groups A, B, C, and D; Class II, Division 2, Groups E, F, and G; Class III, Division 2.	Connect to 875CR Analyzer per MI 611-206. Supply Voltage -A, -B, -C, -E, or -J. Temperature Class T4 at 85°C (185°F) maximum ambient.	875CR-**C
CSA certified for Class I, II, and III, Division 2, Groups A, B, C, D, F, and G.	Connect to 870ITCR Transmitter per MI 611-206. Temperature Class T4.	870ITCR-**CNZ
CSA certified intrinsically safe for Class I, II, and III, Division 1, Groups A, B, C, D, F; and G Division 2.	Connect to 870ITCR Transmitter per MI 611-206. Temperature Class T4.	870ITCR-**CAA
FM intrinsically safe Class I, II, and III, Division 1, Groups A, B, C, D, E, F, and G.	Connect to 870 transmitters per MI 611-206. 871CC-**-6 Sensors are excluded.	CS-E/FB-A
FM ordinary locations.	Connect to 873CC or 873ACC Analyzers with Enclosure Code P, W, X, Y, or Z.	CS-E/FG-A
FM nonincendive Class I, Division 2, Groups A, B, C, and D; Class II, Division 2, Groups F and G; Class III, Division 2.	Connect to 875CR Analyzer per MI 611-206. Supply Voltage -A, -B, -C, and -J. Temperature Class T4A at 75°C maximum ambient.	875CR-**F
FM ordinary location.	Connect to 875CR Analyzer. Supply Voltage -A, -B, -C, and -J. Temperature Class T4A at 75°C maximum ambient.	875CR-**F
FM approved nonincendive for Class I, II, and III, Division 1, Groups A, B, C, D, F, and G; and Division 2.	Temperature Class T4. Connect to 870ITCR Transmitter per MI 611-206.	870ITCR-**FNZ
FM approved intrinsically safe for Class I, II, and III, Division 1, Groups A, B, C, D, E, F, and G.	Temperature Class T4. Connect to 870ITCR Transmitter per MI 611-206.	870ITCR-**FAA

Sensor Identification

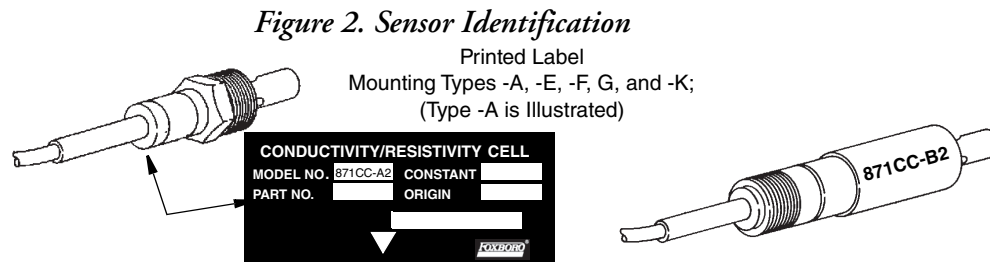
Sensor identification is contained within the suffix of the sensor model number. The first character in the suffix (a letter) refers to the type of mounting of the sensor. (See “Sensor Applications” on page 17.) The second character (2, 4, or 6) refers to the cell factor and electrode material:

2 = 0.1 cm^{-1} cell factor, titanium electrode material



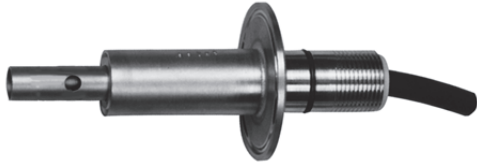







4 = 10 cm^{-1} cell factor, graphite electrode material

6 = 0.1 cm^{-1} cell factor, Monel electrode material.

The complete sensor model number is either marked on a label attached to the sensor cable or is found on the top of the sensor.



Sensor Applications

Sensor Mounting Code	Application	Sensor
-A	Standard sensors incorporating a 3/4 NPT Teflon-S coated bushing. Offers a wide variety of installation configurations. Mating cell holders are available.	
-B	Universal-mount sensors designed to utilize Foxboro flanges and hex-head bushings. Used in larger diameter piping and in the sides of tanks.	
-C	Sensors with sanitary fittings mate with 50 mm (2 in) Tri-Clamp sanitary fitting. A 40 mm (1-1/2 in) Tri-Clamp fitting is also available. Contact Global Customer Support about option EP125A.	
-D	Insertion sensors are used with gate-valve insertion systems that allow the sensor to be inserted or removed from the system while it is operating, without shutting down the system.	
-E	Twist-Lock sensors are used with mating cell holders. A quarter turn by hand permits removal of the sensor for inspection and cleaning, or an occasional grab sample.	
-F	Threaded bushings, 3/4 NPT with 1/2 NPT conduit connector.	
-G	Dip sensors are used manually for occasional checks in exposed liquids. Noryl body.	
-K	High-temperature bushing is 3/4 NPT with Teflon-S coating. 100 Ω RTD. Cable rated to 150°C (300°F). Same application as for -A above.	
-L	High-temperature with 50 mm (2 in) sanitary fitting. 100 Ω RTD. Cable rated to 150°C (300°F). Same application as for -C above. A 40 mm (1-1/2 in) Tri-Clamp fitting is also available. Contact Global Customer Support about option EP125A.	
-M	High-temperature insertion type with 100 Ω RTD and cable rated to 150°C (300°F). Same application as for -D above.	

2. Installation

General Installation Guidelines

Proper installation of the sensor is important for efficient and accurate operation.

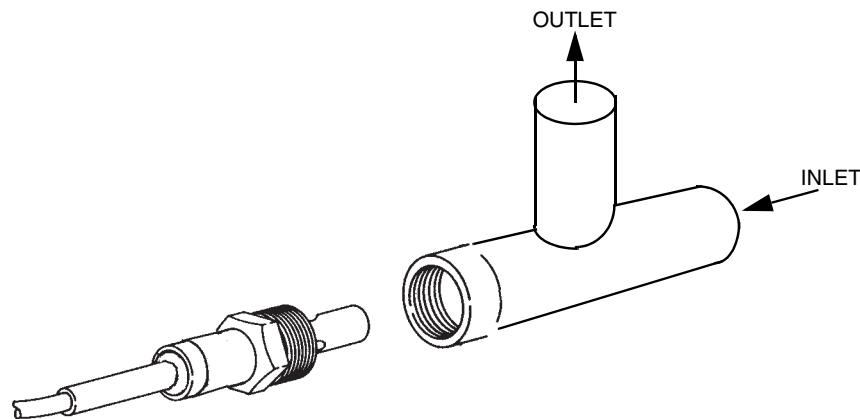
For all applications and sensor configurations, mounting arrangements must be located so that:

- ◆ Sample at the electrodes must be representative of the solution.
- ◆ Solution circulates actively and continuously past the electrodes area.
- ◆ Flow velocity at the sensing area does not cause cavitation or cell damage. (Use 10 ft/sec as a reference.)
- ◆ Position and orientation of the sensor does not trap air bubbles within the sensing area. A horizontal installation is suggested. Flow should go into the bottom of the electrode and exit through holes in the outer body.
- ◆ Deposits of sediment or other foreign material do not accumulate on the active electrodes or the insulator. Do **not** install sensors with the cable end down.
- ◆ If cable is installed in a metal conduit (recommended), either flexible conduit should be used or some other provision made for the removal of the sensor from the process.

Installation of Sensor Types -A, -F, and -K

These sensors have a 3/4 NPT male process connection (see Figure 3). These sensors can also be installed in a flow chamber. (installation is similar to that shown in Figure 6).

Figure 3. Installation of Sensor Types -A, -F, and -K



Installation of Sensor Type -B

This sensor can be connected to either a 2" to 4" MSS SP-51 Class 150 lightweight flange (ASME B16.5), or a 1-1/4 to 2 NPT female process connection using a threaded bushing (see Figure 4). DIN flanges and metric process connections can also be achieved. Sensor mounting parts are available for each type of installation (these mounting parts are specified and ordered separately by part number). Other mating parts are supplied by the user. See Table 4 for hex-head bushing specifications. The cable end of the sensor is pushed through the mounting flange or bushing from the process side, and is locked in place by threading and tightening the locknut on the sensor.

Figure 4. Installation of Sensor Type -B

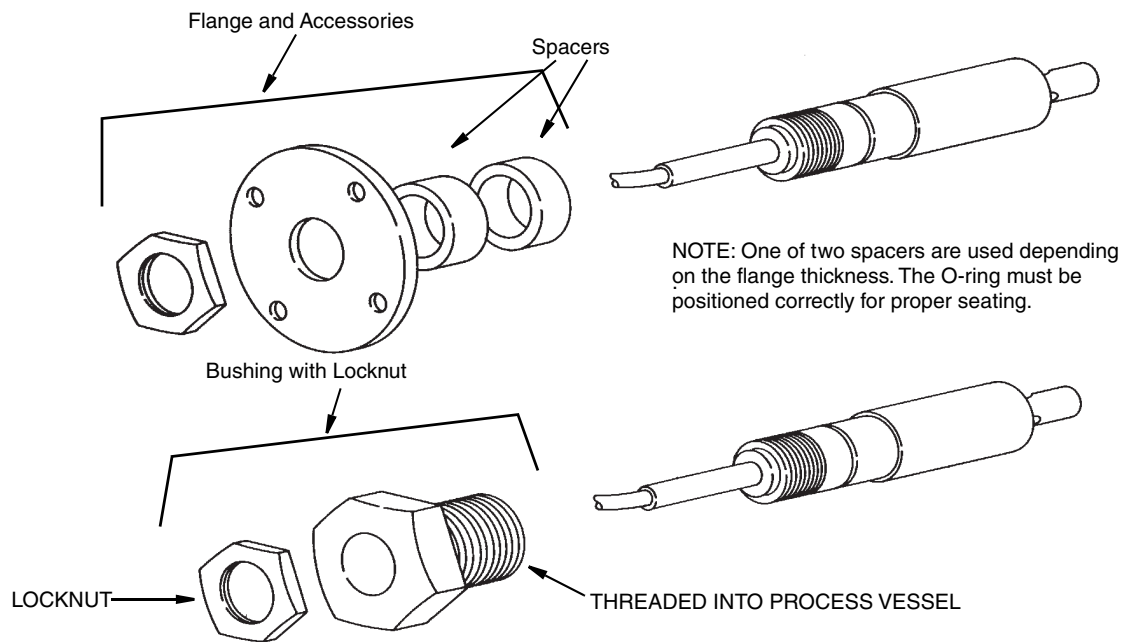


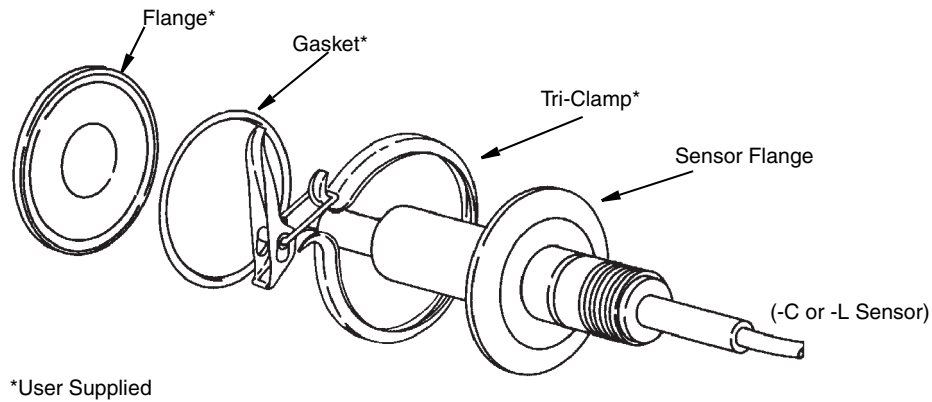
Table 4. Hex-head Bushing Specifications

Used with Sensor Body Code	Material	Thread Size (in)	Rated Pressure at Rated Temperature			
			MPa	psi	°C	°F
Twist-Lock (-E)	PVC	1-1/4 NPT	0.4	60	50	120
			0.2	30	80	175
	316 ss	1-1/4 NPT	1.4	200	125	260
		1-1/2 NPT	1.4	200	125	260
Universal (-B)	316 ss	1-1/4 NPT	1.4	200	125	260
		1-1/2 NPT	1.4	200	125	260
		R 1-1/2	1.4	200	125	260
		2 NPT	1.4	200	125	260
		R 2	1.4	200	125	260
	Carpenter 20Cb-3®	1-1/4 NPT	1.4	200	125	260
		1-1/2 NPT	1.4	200	125	260
		R 1-1/2	1.4	200	125	260
		2 NPT	1.4	200	125	260
		R 2	1.4	200	125	260
	Kynar®	1-1/2 NPT	1.0	150	25	77
		R 1-1/2	0.4	60	80	175
		2 NPT	0.2	30	120	250
		R 2				
	Noryl	1-1/2 NPT	1.4	200	25	77
		R 1-1/2	0.7	100	80	175
		2 NPT	0.3	50	95	200
		R 2				

Installation of Sensor Types -C and -L

These sensors mate with a 2-inch Tri-Clamp flange (see Figure 5). The flange on the process tank, the gasket, and the clamp are supplied by the user.

Figure 5. Installation of Sensor Types -C and -L



Installation of Sensor Type -E

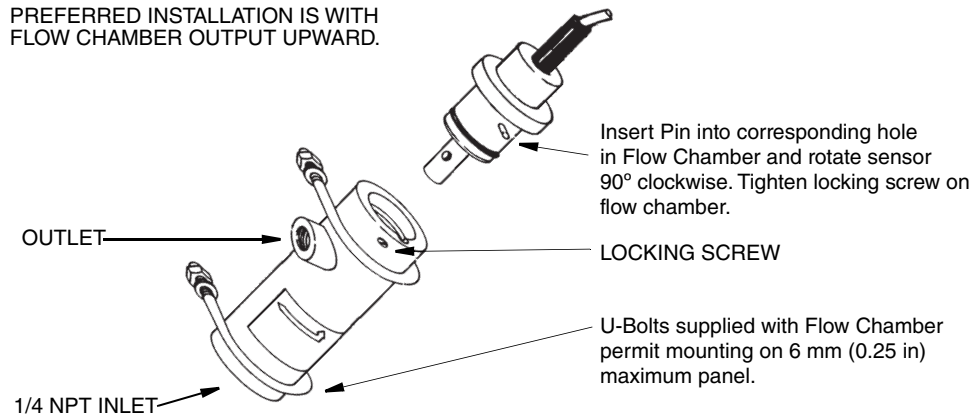
This sensor connects to either a Twist-Lock flow chamber (see Table 5 and Figure 6), or a 1-1/4 or 1-1/2 NPT Twist-Lock bushing (Table 4). With the Twist-Lock bushing, the sensor can be connected to the user’s 1-1/4 or 1-1/2 NPT internal process connection. With flow cell installations, vertical alignments are not recommended. Tilt output port upward and install sensor and flowchamber at a 45° angle.

— NOTE

Sensor Types -A, -F, and -K can be installed in flow chambers having a 3/4 NPT sensor connection (in place of the Twist-Lock connection illustrated in Figure 6). All other flow chamber installation details are the same.

Table 5. Flow Chamber Specifications

Sensor Connection and Sensor Body Code	Material	Rated Pressure at Rated Temperature				Part No.
		MPa	psi	°C	°F	
Twist-Lock (-E)	PVC	0.4	60	50	120	0051181
		0.2	30	80	175	
Twist-Lock (-E)	316 ss	1.4	200	125	260	0051179
3/4 NPT Threaded (-A)	PVC	0.4	60	50	120	0051182
		0.2	30	80	175	
3/4 NPT Threaded (-A, -K)	316 ss	14	2000	175	350	0051180
3/4 NPT Threaded (-A)	Syger®	0.4	60	50	120	BS805GR
		0.2	30	80	175	

Figure 6. Installation of Sensor Type -E

Installation of Sensor Types -D and -M

These sensors work with a 1 NPT gate-valve assembly. When the gate valve is installed, the sensor can be inserted or removed without disturbing the process. For gate-valve assembly specifications, refer to Table 6, DP 611-120, and DP 611-117.

Table 6. Gate-Valve Specifications

Type and Body Code	Process Line Connection (in)	Process-Wetted Parts Material			Rated Pressure at Rated Temperature				Part No.
		Gate Valve	Shock Absorber	O-Ring (a)	MPa	psi	°C	°F	
Standard (-D, -M)	1 NPT	316 ss	PTFE	EPDM	1.4	200	120	250	0051351
High Temperature (-M)	1 NPT	316 ss	PTFE	EPDM	3.4	500 250	120 175	250 350	0051356

a. The o-ring is located on the sensor assembly and is not part of the gate valve assembly.

A gate-valve assembly installation must meet mounting arrangements specified in “General Installation Guidelines” on page 19 as well as the following requirements:

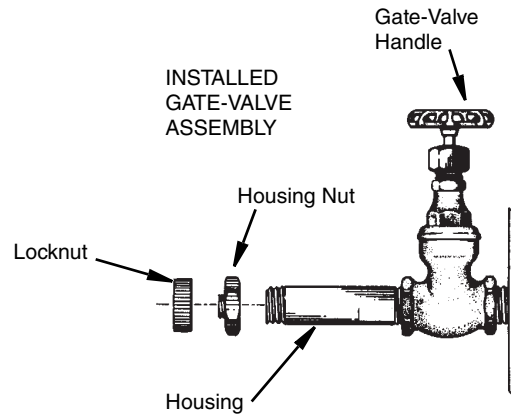
- ◆ Install the gate-valve assembly in a tee, boss, or flange that will accept a 1 NPT connection. The sensor should be positioned horizontally.
- ◆ Direct the flow of the solution (as much as possible) into the bottom opening of the sensor.
- ◆ Provide space for removal of the sensor in the gate-valve assembly. Refer to DP 611-120 and DP 611-117.

⚠ WARNING

If the gate valve is installed in an application where the process stream is filled and pressurized, perform “Removal of Gate-Valve Insertion Sensor” on page 26 before proceeding.

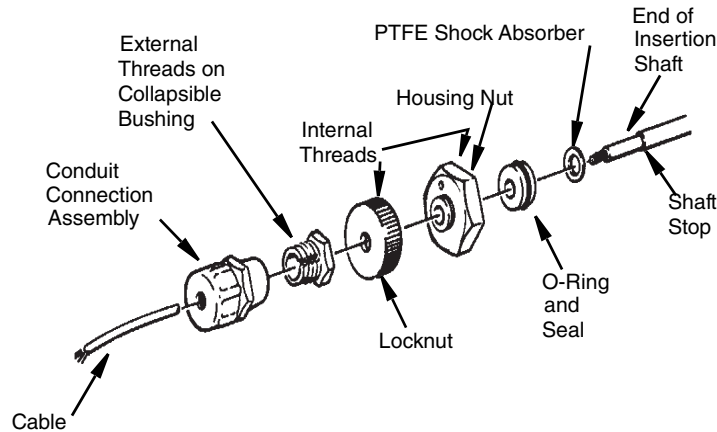
1. Disassemble the locknut and the housing nut from the installed gate-valve assembly housing (see Figure 7).

Figure 7. Disassembly of Locknut and Housing Nut



2. Select the appropriate Mounting Design (-D or -M) gate-valve insertion sensor for the application.
3. Assemble parts onto the gate-valve insertion sensor cable as shown in Figure 8.

Figure 8. Assembly of Parts Onto Gate-Valve Insertion Sensor Cable



4. Lightly lubricate insertion shaft with silicone grease (or equivalent).
5. Slide the PTFE shock absorber and the O-ring and seal onto the insertion shaft until the shock absorber is against the sensor assembly (see Figure 9).

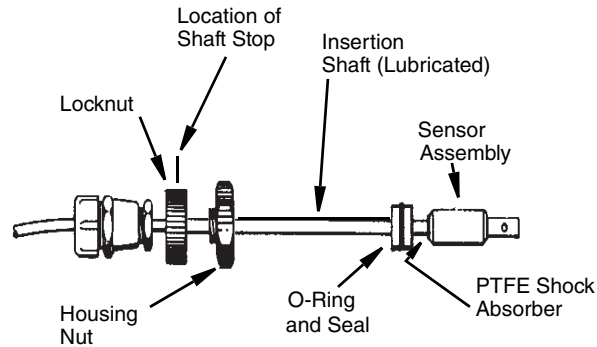
CAUTION

Do not damage the O-rings.

6. Slide the housing nut onto the shaft to a position just beyond the shaft stop.
7. Slide the locknut against the shaft stop.

8. Slide the collapsible bushing and the conduit connection onto the end of the shaft.
(Do not tighten.)

Figure 9. Assembly of Gate-Valve Insertion Sensor



9. Turn the gate-valve handle clockwise (see Figure 10) until the valve is completely seated (closed).
10. Fill and pressurize the process line or tank as required. Check for and eliminate leaks.

CAUTION

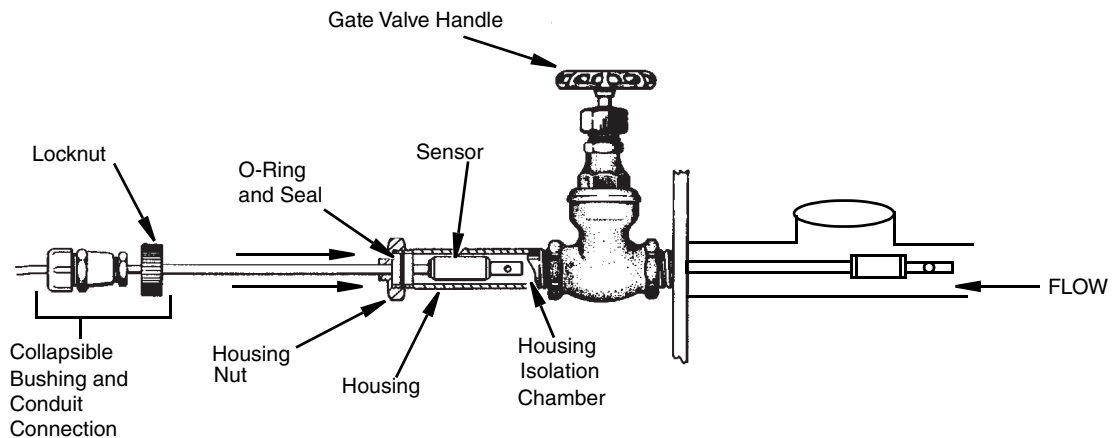
Do not exceed the sensor temperature and pressure limits.

11. Insert the gate-valve insertion sensor into the housing isolation chamber until the O-ring and seal are seated into the end of the housing (see Figure 10).

CAUTION

Do not damage the O-rings.

Figure 10. Installation of Insertion Sensor into Gate Valve and Process



12. Tighten the housing nut onto the end of the housing.

— **NOTE** —

The housing nut is supplied lubricated and should be relubricated periodically to prevent galling.

13. Slowly turn the gate-valve handle counterclockwise to fully open the valve.

CAUTION

Gate-valve insertion sensor may retract while opening the valve due to process flow.

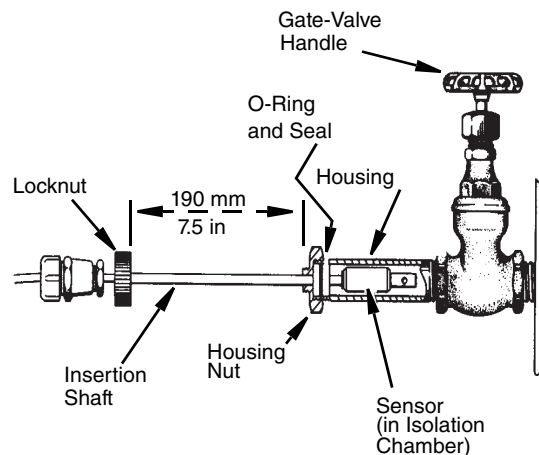
14. Check for and eliminate leaks.
15. Insert the sensor into the process and tighten the locknut onto the housing nut.
16. Slide the collapsible bushing against the locknut.
17. Assemble the conduit connection assembly onto the collapsible bushing and secure the bushing onto the shaft of the gate-valve insertion sensor.

Removal of Gate-Valve Insertion Sensor

WARNING

Do not loosen the housing nut (Figure 11) when the gate-valve unit is in the open position and the process line or tank is filled and pressurized.

Figure 11. Removal of Gate-Valve Insertion Sensor



1. Carefully loosen and detach the locknut only.

WARNING

Gate-valve insertion sensor may retract rapidly.

2. Allow the sensor to enter into the gate-valve housing isolation chamber (see Figure 11). Expose the insertion shaft 190 mm (7.5 in) minimum.

3. Turn the gate-valve handle clockwise until valve is completely seated (closed).

⚠ WARNING

Do not loosen the housing nut if there is a continuous leak through the port on the housing nut.

⚠ WARNING

Check to be sure the valve is completely closed. If the leak continues, the gate valve is not seating. The process line or tank may have to be emptied and depressurized.

4. Loosen the housing nut and withdraw the insertion sensor shaft assembly from the housing isolation chamber.

Junction Box Installation

Junction Box Mounting

The junction box (part number 0051052) provides watertight (NEMA 4X) protection and can be used to increase distance between sensor and analyzer by facilitating a juncture between standard cable terminals and extension cable.

⚠ CAUTION

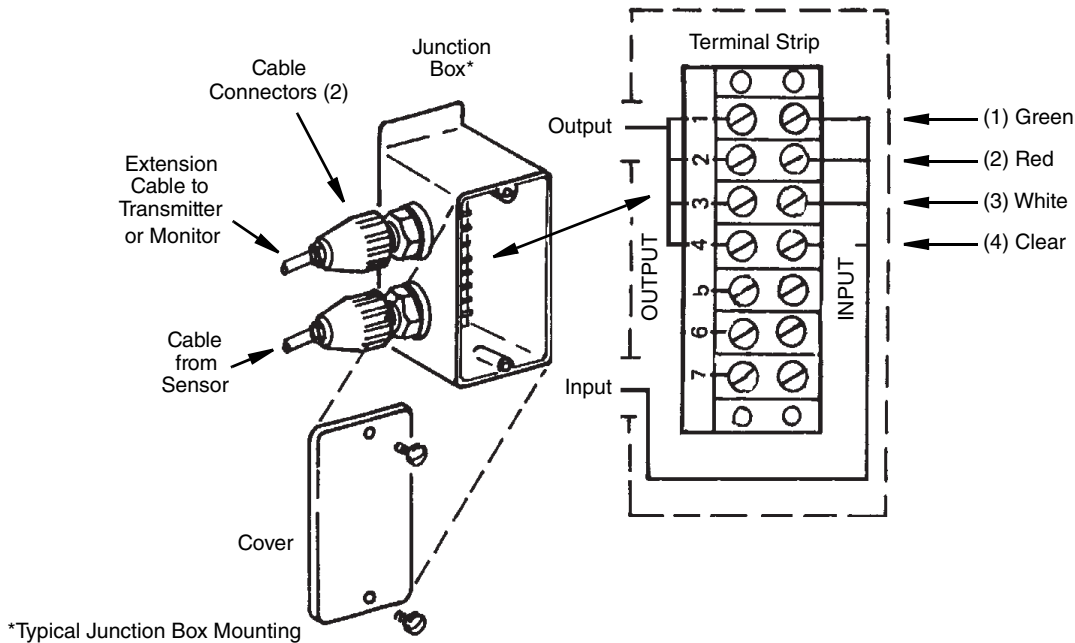
Accuracy of measurements are affected by the use of extension cables. For sensors with a cell factor of 0.1 cm^{-1} , temperature bias corrections must be made in the analyzer (tCF parameter) to correct for additional resistance that has been added by the additional length of cable.

1. Select a rigid surface and a position protected from damage or exposure to excessive moisture or corrosive fumes.
2. Position the junction box against the mounting surface and mark the location of the mounting holes.
3. Drill the mounting holes on the marked centers.
4. Mount the junction box with appropriate hardware (user supplied).

Junction Box Wiring

1. Remove the junction box cover and loosen the cable connectors (see Figure 12).
2. Insert the sensor cable through the appropriate connector and connect the numbered terminals of the sensor cable to the corresponding numbered terminals on the terminal strip.
3. Insert extension cable assembly (part number 0061101) through the appropriate connector. Connect the numbered terminals of the extension cable assembly opposite the corresponding numbered terminals of the sensor cable.

Figure 12. Junction Box Wiring



Wiring

Figure 13. Basic Wiring Diagram for 871CC Sensors

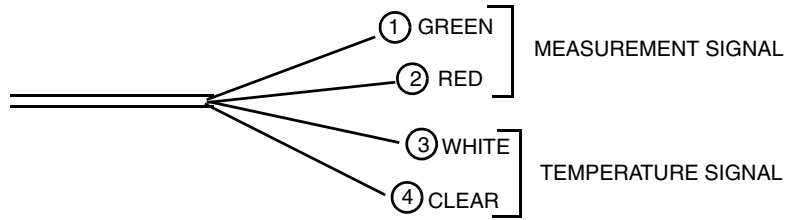


Figure 14. Metal Rear Panel Wiring - 873RS or 873CC

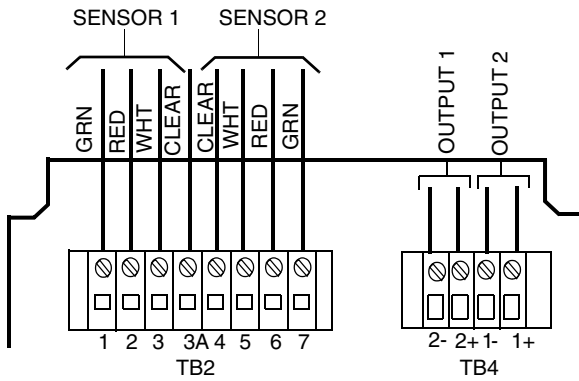


Figure 15. Plastic Rear Panel Wiring - 873RS or 873CC

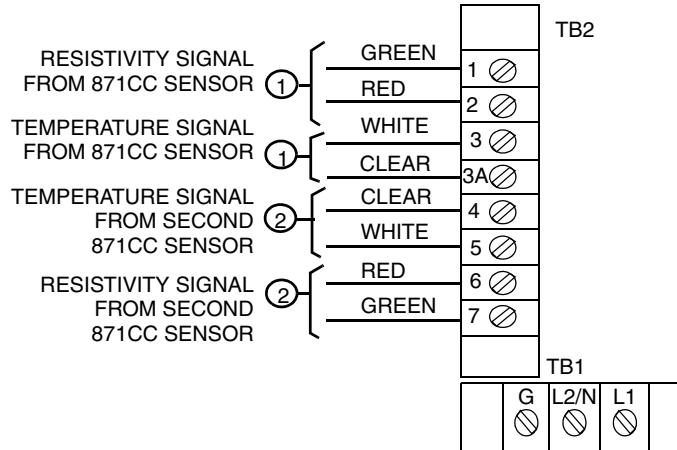


Figure 16. Metal Rear Panel Wiring - 873ARS or 873ACC

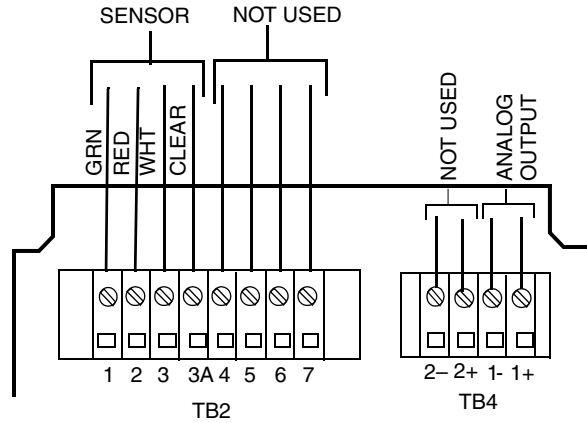


Figure 17. Plastic Rear Panel Wiring - 873ARS or 873ACC

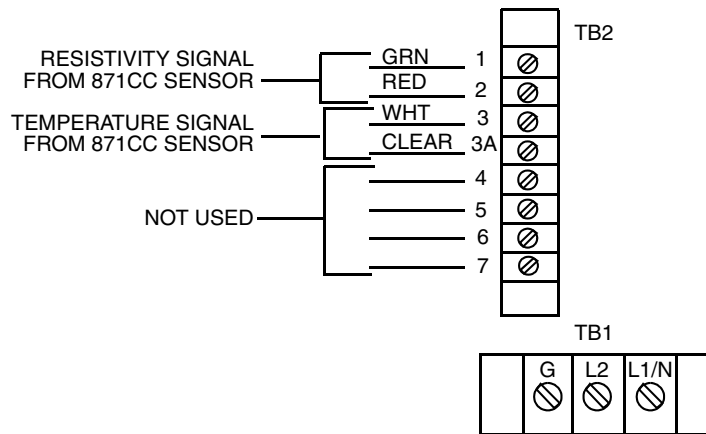
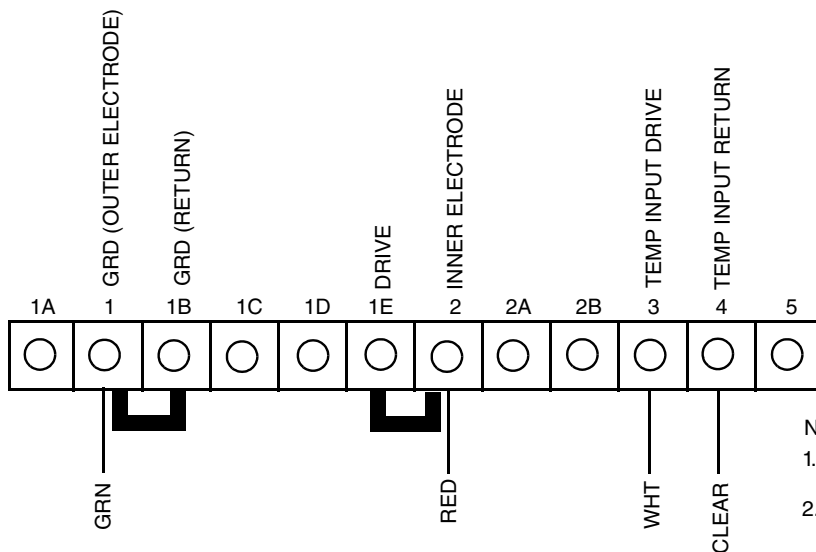


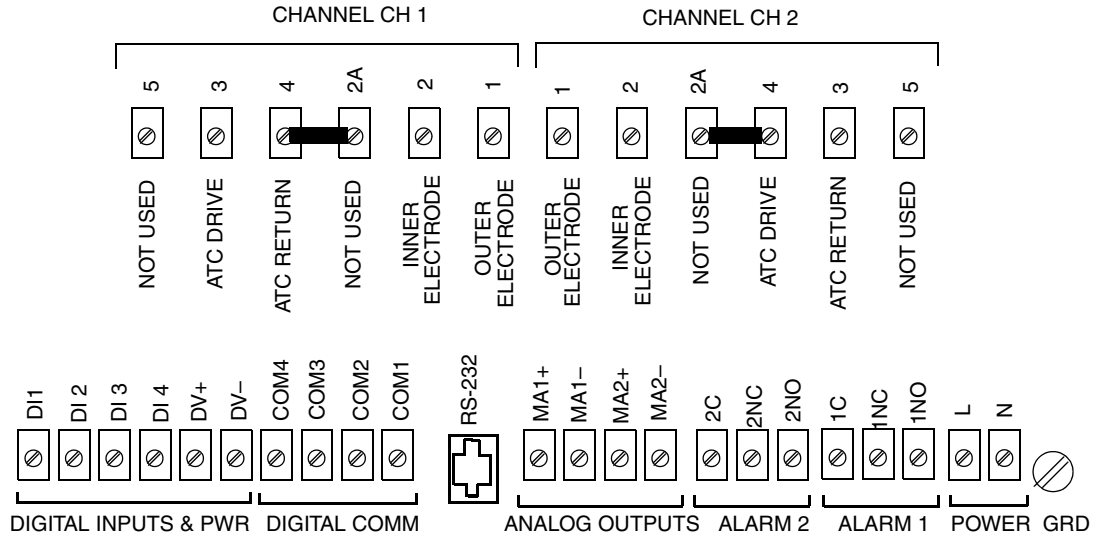
Figure 18. 870ITCR Wiring Connections



NOTES:

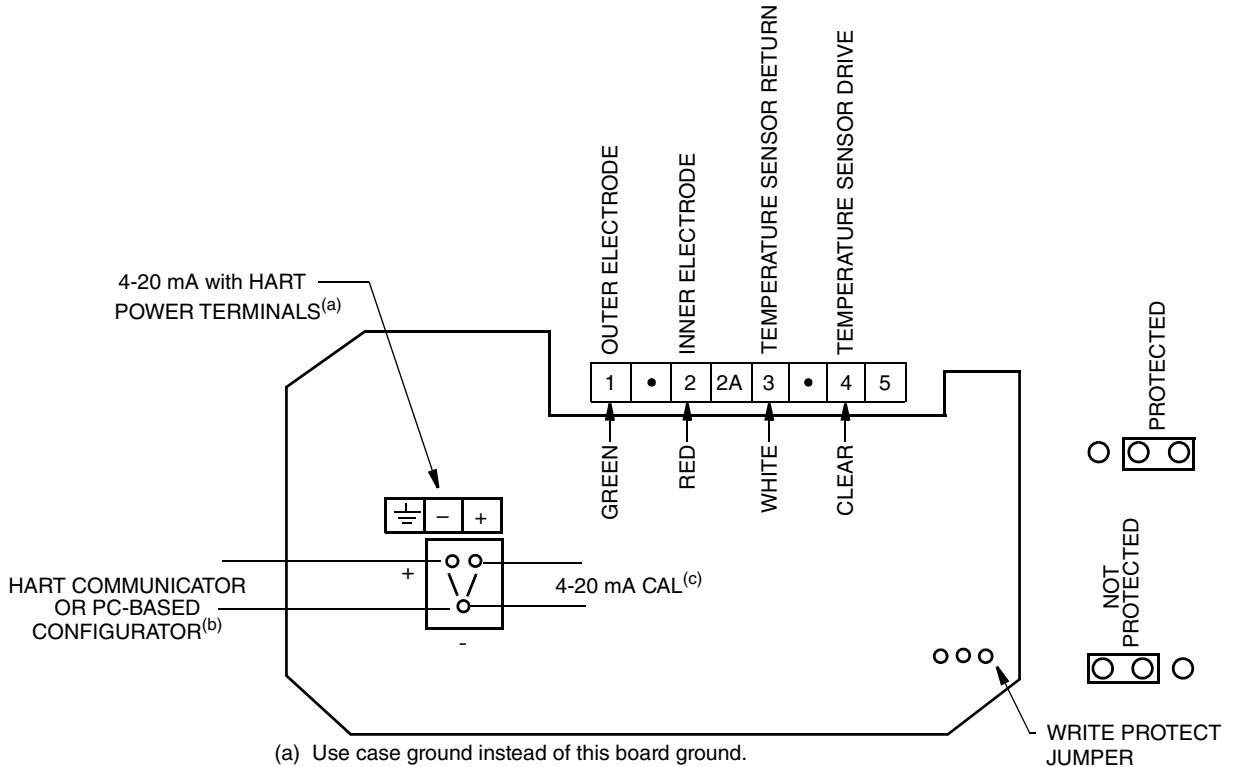
1. Verify that Terminals 1 & 1B and 1E & 2 are shorted.
2. If using absolute measurements and are not wiring a temperature measuring device, short 3, 4, and 5 to minimize noise.

Figure 19. 875CR Wiring Connections



NOTE: Jumpers are included in Kit BS811AP. Leakage diagnostics must be disabled.

Figure 20. 876CR Wiring Connections



- (a) Use case ground instead of this board ground.
- (b) There must be at least 250 ohms total resistance between the PC-based configurator or the HART communicator and the power supply.
- (c) The loop current flows through a 25-ohm resistance between these terminals, thus allowing measurement with a voltmeter: $100 \text{ to } 500 \text{ mV} = 4 \text{ to } 20 \text{ mA}$.

3. Calibration

The conductivity sensors are manufactured under strict guidelines for quality and uniformity. Even with the stringent specifications of our assembly procedures, small offsets from theoretical values are possible. In many applications, the sensor can be connected to the analyzer and used without further calibration. For the best possible system accuracy of an 871CC sensor, additional calibrations are required to standardize these small offsets.

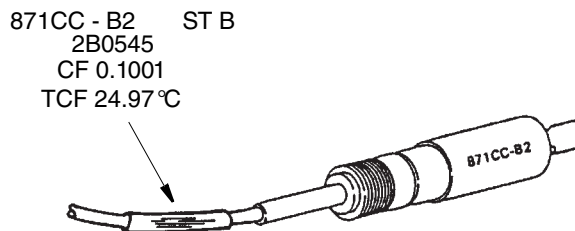
Sensors with 0.1 cm⁻¹ Cell Factor

An accurate temperature signal is required for proper temperature compensation, especially when measuring resistivity or when measuring conductivity over a large temperature gradient. For any sensor having a cell factor of 0.1 cm⁻¹ the Temperature Cell Factor (tCF) is used to offset a small deviation from the ideal. The tCF **must** be used when longer cables are ordered.

Additionally, individual sensors with 0.1 cm⁻¹ cell factors may differ slightly from their nominal constant of 0.1000 cm⁻¹. The Cell Factor adjustment (CF) is used to offset the small deviation of the sensor from the ideal.

871CC Sensors with 0.1 cm⁻¹ nominal cell constants are stamped with a 4-digit number (for example, 0.1001), which is the Cell Factor (CF) of that particular cell when tested in our factory. These cells are also stamped with a temperature value (tCF) (for example, 24.97°C), which is the temperature at which that particular transducer read its theoretical resistance value. See Figure 21. When the sensor is connected directly to the analyzer, these factors may be input directly into the analyzer or transmitter to correct for these offsets. See appropriate analyzer instruction for details of how to enter these values.

Figure 21. Sensor Identification



Alternatively, for conductivity applications, the following procedure may be used to determine the temperature cell factor. This procedure **must** be used when additional cable lengths are used with the sensors, if cable lengths were altered, or if junction boxes were added or deleted.

Determining Temperature Cell Factor (tCF)

1. Connect your conductivity sensor to the appropriate analyzer.
2. Place the sensor and an accurate Celsius thermometer (with 0.01°C resolution) into a container of liquid. Allow the system to reach thermal equilibrium.
3. Read the temperature as displayed on the analyzer with resolution to the hundredths place. For details of how to do this, see the appropriate analyzer instruction.
4. Determine the temperature difference of the two devices by subtracting the analyzer reading from the thermometer reading; e.g., the thermometer reads 24.70°C and the analyzer says 25.20°C; the difference is $24.70^{\circ}\text{C} - 25.20^{\circ}\text{C} = -0.50^{\circ}\text{C}$.
5. Add this value to 25.00°C (e.g., $25.00^{\circ}\text{C} + (-0.50^{\circ}\text{C}) = 24.50^{\circ}\text{C}$). This is your temperature cell factor. Now that you've determined the tCf, enter it as described in your analyzer instruction.
6. Recheck temperatures and repeat the procedure.

Sensors with 0.1 cm^{-1} or 10 cm^{-1} Cell Factor

Your analyzer-sensor system may be standardized by performing a simple single point solution calibration. See your analyzer instruction for detailed procedures.

For sensors with 10 cm^{-1} cell factors, the cell factor is determined by the volume of fluid captured in the sleeve. After repeated heating and cooling, and/or removal of the sleeve for cleaning, calibration should be checked.

— NOTE —

This procedure should follow, not precede, the entering of a tCF as explained above.

4. Maintenance

Process Temperature versus Temperature Sensor Resistance

Table 7 lists process temperature value and corresponding resistance value of the RTD or thermistor. Resistance of RTD or thermistor should approximate value given in Table 7 for appropriate temperature (see applicable analyzer or transmitter MI). If not, replace sensor.

Table 7. Process Temperature vs. Temperature Sensor Resistance

Process Temperature		RTD Resistance	100 K Ω Thermistor Resistance
$^{\circ}\text{C}$	$^{\circ}\text{F}$	$\Omega \pm 0.1\%$	$\Omega \pm 0.1\%$
-5	+20	98.04	461,550
0	32	100.00	351,020
10	50	103.90	207,850
20	68	107.79	126,740
25	77	109.73	100,000
30	86	111.67	79,422
40	104	115.54	51,048
50	122	119.40	33,591
60	140	123.24	22,590
70	158	127.07	15,502
80	176	130.89	10,837
90	194	134.70	7,707.7
100	212	138.50	5,569.3
105	225	140.39	4,760.3
110	230	142.28	4,082.9
120	248	146.06	3,033.3
130	266	149.82	2,281.0
160	320	161.04	

Electrode Inspection

The accuracy of the sensor may be affected by deposits from process liquid. Therefore, the sensor may require cleaning on a scheduled basis.

Inspect the electrodes as needed. The electrode should be cleaned periodically.

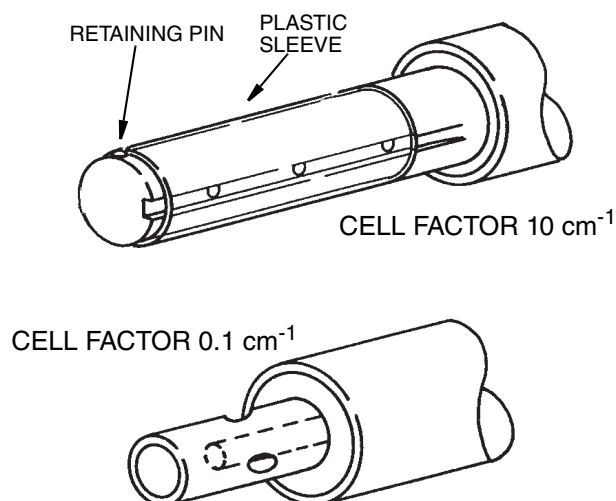
Electrode Cleaning

Deposits on the electrode (immersion portion of the sensor, Figure 22) can seriously affect the sensor's accuracy.

A tentative schedule for cleaning the electrode should be established. The time interval between cleanings can be increased or decreased (depending on the nature of process liquid or the difference between conductivity/resistivity readings before and after cleaning).

1. Remove the sensor from the process.
2. Flush the sensor by flowing deionized water through the electrode with a forceful jet.
3. If deposits are still visible, gently move the immersion portion of sensor in a dilute solution of a suitable acid or base (to agitate solution) until the deposits are loosened. Choice of cleaning solution depends on nature of the process liquid and deposits. Generally use the mildest cleaner capable of dissolving the deposit.
4. Use a soft brush (e.g., toothbrush) to wipe away external deposits.
5. Repeat Steps 2-4 until sensor is clean.
6. With a sensor having a cell factor of 10 cm^{-1} , slide the plastic sleeve over retaining pin and remove sleeve (see Figure 22). Clean both sides of the plastic sleeve.
7. Sensors with a 0.1 cm^{-1} cell factor are made with a nonremovable outer electrode. Care should be taken to prevent skin oils from contacting either the inner or outer electrodes. Rough handling of these components could alter the cell factors.
8. Rinse sensor thoroughly in distilled water, reinstall plastic sleeve (if removed), and return sensor to process.

Figure 22. Immersion Portion of Sensors



ISSUE DATES

OCT 1985	MAR 2014
SEP 1987	FEB 2016
JUL 1997	
JUN 2006	

Vertical lines to the right of text or illustrations indicate areas changed at last issue date.

Foxboro[®]
by Schneider Electric

Invensys Systems, Inc.
38 Neponset Avenue
Foxboro, MA 02035
United States of America
<http://www.fielddevices.foxboro.com>

Global Customer Support
Inside U.S.: 1-866-746-6477
Outside U.S.: 1-508-549-2424
Website: <http://support.ips.invensys.com>

Copyright 1985-2016 Invensys Systems, Inc.
All rights reserved.

Invensys and Foxboro are trademarks of Invensys Limited, its subsidiaries, and affiliates. All other trademarks are the property of their respective owners.

Invensys is now part of Schneider Electric.