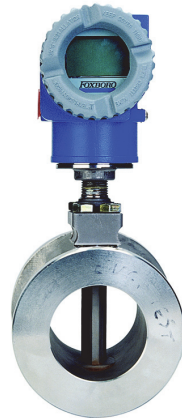


Model 84W (Wafer Body) I/A Series Intelligent Vortex Flowmeters with HART® Communication Protocol



The I/A Series® Model 84W is part of a family of intelligent, high performance, wafer body vortex flowmeters. They transmit a 4 to 20 mA or digital multidrop, and a pulse output signal, as applicable, using HART® communication protocol for remote configuration, calibration, and monitoring. An on-board LCD indicator with pushbuttons is also offered for local configuration.

FEATURES

- ▶ Liquid, gas, or steam applications.
- ▶ Wafer body designs:
 - 3/4 to 8 in (DN 15 to DN 200) wafer body.
- ▶ Best in class accuracy:
 - $\pm 0.5\%$ of reading in liquids.
 - $\pm 1.0\%$ of reading in gas and steam.
- ▶ ActiveTuning™ algorithm:
 - Real time Reynolds number (R_D) low flow correction down to R_D of 5000.
 - Compensation for piping effects.
 - Adaptive filtering and signal conditioning.
 - Tunable for specific operating conditions.
- ▶ Widest rangeability in class.
- ▶ Low power versions available for use in battery or solar power applications.
- ▶ HART communication protocol, 4 to 20 mA and pulse output
- ▶ *DirectSense*™ technology with lifetime sensor warranty.
- ▶ Pulse Output provides raw or scaled frequency, or total.
- ▶ CE marked; complies with EMC European Union and PED Directives, and NAMUR NE 21 Interface Immunity Requirement.
- ▶ Free-to-use, flow sizing program is available on the Internet at www.FlowExpertPro.com.

Equipment should be installed, operated, serviced, and maintained only by qualified personnel. No responsibility is assumed by Schneider Electric for any consequences arising from the use of this material.

WIDE VARIETY OF APPLICATIONS

Model 84W sets the example for industry standards whether the application requires accuracy for totalizing and batching; utility metering of fluids in the process industries; fuel, air, steam, or gas metering for the measurement of energy in any high use application; or stability and repeatability for process control.

The low power versions of these flowmeters differ from other 84 Series Vortex flowmeters in that the supply current is fixed at a constant 10 mA, and remain in operation down to a minimum voltage of 10V dc. They are intended for use with battery power with any form of recharging technology such as solar arrays or alternators.

COMPLIANCE WITH EUROPEAN UNION DIRECTIVES

- ▶ Complies with Electromagnetic Compatibility Requirements of EMC Directive 2014/30/EU by conforming to EN 61326-1:2013.
- ▶ Complies with NAMUR NE 21 Interference Immunity Requirement (EMC).
- ▶ Complies with Pressure Equipment Directive (PED).
- ▶ Complies with all applicable European Union Directives (CE Logo marked on product).

DESIGNED FOR BEST PERFORMANCE AND RELIABILITY

This patented family of vortex flowmeters has the high accuracy and rangeability of positive displacement and turbine flowmeters without the mechanical complexity and high cost. They provide flow rate accuracy of $\pm 0.5\%$ in liquids and $\pm 1.0\%$ in gas and steam. It utilizes patented *DirectSense* technology to help eliminate routine problems encountered with other vortex meters. *DirectSense* technology measures pressure pulses from vortex shedding directly, without clumsy mechanical linkages. The benefits of *DirectSense* technology include:

- ▶ Provides best performance in class.
- ▶ Increased measurement sensitivity for wider rangeability.
- ▶ Greater immunity to pipe vibration.

- ▶ High reliability backed by lifetime sensor warranty.
- ▶ Replaceable sensor without recalibrating.

Because these vortex flowmeters have no moving parts, they are very durable and reliable. The simplicity of design helps ensure low initial cost, low operating and maintenance costs, which contribute to an overall lower cost of ownership.

SIMPLIFIED START-UP

No primary device calculations or mechanical calibrations are required. The flowmeter is easily installed and configured. Simply wire it to a proper power source, an I/O module, or controller, and it is ready to measure flow.

The factory will preconfigure the flowmeter using flow data supplied by the customer. Generically preconfigured flowmeters can be used as shipped, but for more precise application, the flowmeter should be configured to specific process usage. The configurator allows selection of the fluid type, and provides general default configurations when process conditions are not available.

ACTIVETUNING ALGORITHM

Reynolds Number

Patented algorithm improves accuracy performance down to an R_D of 5000.

Compensations for Piping Effects

When it is not possible to provide the recommended pipe diameters of unobstructed straight pipe upstream of the flowmeter, the 84 Series can be configured to compensate for most of the common non-ideal upstream conditions, such as elbows and reducers. Straight runs as short as 5-pipe diameters can be configured to achieve full accuracy.

Adaptive Filtering and Signal Conditioning

A patented, adaptive filtering algorithm provides real-time, dynamic frequency filters that follow the vortex shedding frequency. This results in unsurpassed low-flow measurement capability and vibration immunity. This is incorporated with a digital smoothing algorithm that conditions the raw vortex signal to virtually eliminate dropped or added pulses, further enhancing low-flow performance.

Tunable for Specific Operating Conditions

Configurable parameters for Low Flow Cut-in and damping allow tuning for specific flow conditions.

COMPACT, EFFICIENT, AND DURABLE DESIGN

The flowmeter mounts between ANSI or EN 1092-1 raised face flanges. See Model Code section for end connections offered with each line size. Other flange face surfaces can be used as a custom design.

The electronics housing is of explosionproof and flameproof construction and provides environmental protection to the enclosed electronics. It is offered integrally mounted to the flowtube, or can be mounted remotely.

The flowmeter's simple, modular design requires minimum maintenance. Common, field replaceable parts are used, including the sensor assembly and amplifier. The amplifier can be replaced without interrupting the flow in the pipe, and sensor can be replaced without process shutdown when an isolation valve is installed. Since a single device is used for multiprocess-fluid applications, ordering is simplified and spare part needs minimized.

USABLE IN HAZARDOUS AREA LOCATIONS

These flowmeters meet numerous agency requirements for hazardous locations.

MEASUREMENT INTEGRATION

These flowmeters provide efficient integration of measurements into HART process control schemes. They operate by using a bidirectional digital signal superimposed on the 4 to 20 mA current signal. They are also offered with or without a pulse output. Remote communication of digital values plus status and configuration information can be achieved via HART communication protocol.

Configurators used with the HART versions are:

- ▶ The HART Communicator (users having a HART Communicator for other devices can have them upgraded with software to accommodate these flowmeters).
- ▶ The Local Digital Indicator/Configurator with pushbuttons.
- ▶ A PC-based configurator.

With HART, digital multidropping is permitted. This is the connection of several transmitters to a single communications line. Up to fifteen transmitters can be connected on a single twisted pair of wires or over leased telephone lines.

REMOTE MOUNTED ELECTRONICS HOUSING

Remote mounting is offered to allow access to the amplifier and other housing electronics when the measurement is not in an easily accessible location. The remote housing is supported by a bracket, which in turn mounts to a surface or to a nominal 2-in or DN 50 pipe. This housing can be located up to a cable length of 50 ft (15.2 m) from the flowtube without loss of low level signal.

LOCAL DIGITAL INDICATOR/CONFIGURATOR

This is a full feature, 16-character digital indicator and configurator. Total flow and/or the instantaneous flow rate may be displayed in user-selected flow units. The display may be configured for either flow or total, or to toggle between them. Four pushbuttons on the indicator are used to configure the flowmeter.

ISOLATION VALVE

An isolation valve allows the sensor to be removed or replaced without interrupting the flow in the pipe.

PATENTED TECHNOLOGY

This product is protected by the following patents: US 7,212,928; US 7,853,415; US 9,322,683 (Model 84C) and EP 1585943. Additional patents are pending.

FLOWEXPERTPRO™ PROGRAM

The FlowExpertPro program is primarily used to size Schneider Electric flowmeters. It also helps ensure that the user has selected the proper flowmeter type for his application. This meter selection tool is provided as a free web site to all users, without the need for registration. In addition to flowmeter selection and sizing, the FlowExpertPro program includes the following features:

- ▶ Incorporates a large library of the physical properties of typical process fluids.
- ▶ Displays results in tabular or graphic format.
- ▶ Allows user to save, print, or E-mail results.
- ▶ Provides reference to applicable flowmeter PSSs and other related flowmeter documentation.

The program calculates minimum and maximum flow rates, rangeability, pressure loss, and Reynolds Number, using established flow equations. It also allows for material and flange selection, and provides ANSI or metric flange recommendations for predicted flow pressure and temperature. You are invited to visit www.FlowExpertPro.com to access this program, or contact Global Customer Support for further information and technical support.

OPERATING CONDITIONS

Influence	Factory Calibration Conditions (a)	Operating Limits (b)
Process Fluid	Clear Water	Liquid, Gas, and Steam
Process Temperature ▶ Std. Temp. Version/Fluorolube Fill ▶ Std. Temp. Version/Silicone Fill ▶ High Temp. Version/Unfilled	▶ 70 to 85°F (20 to 30°C) ▶ 70 to 85°F (20 to 30°C) ▶ 70 to 85°F (20 to 30°C)	▶ 0 and +200°F (-18 and +93°C) ▶ 0 and +400°F (-18 and +204°C) ▶ 300 and 800°F (149 and 427°C)
Ambient Temperature (Housing) ▶ with Indicator/Configurator ▶ without Indicator/Configurator	▶ 70 to 85°F (20 to 30°C) ▶ 70 to 85°F (20 to 30°C)	▶ 0 and +176°F (-20 and +80°C) (c) ▶ -40 and +176°F (-40 and +80°C) (c)
Relative Humidity	50 to 90%	0 and 100%
Supply Voltage - mA Output	24 ±0.5 V dc	15.5 and 42 V dc (see Figure 2) 10 and 42 V dc for Low Power version (d)

- a. Assumes ANSI Schedule 40 process piping; flanges bored to interfacing pipe I.D.; piping and flowmeter body bores aligned to within 2% of meter bore; gaskets to be 0.125 in (3.18 mm) thick and not protruding into pipeline; a minimum of thirty pipe diameters of straight pipe upstream and five pipe diameters downstream of flowmeter; clear water is free from air or particles.
- b. Limits are based on nonflashing, noncavitating conditions. A minimum positive back pressure is required for proper operation to avoid these effects.
- c. The 176°F (80°C) temperature is extended to 185°F (85°C) with certain electrical approvals or certifications. Refer to Electrical Safety Specifications table.
- d. Supply current is fixed at a constant 10 mA and remains in operation down to a minimum terminal voltage of 10 V dc. See the note in "Power Supply Requirements (Low Power Versions)" on page 7.

PERFORMANCE SPECIFICATIONS

Under calibrated operating conditions unless otherwise stated

Factory Calibrated Flow Ranges

Nominal Meter Size	Nominal Mean K-Factor in Pulses/ft ³ (Pulses/L) (a)	Factory-Calibrated Flow Range for Water (b)		
		Range in US gpm	Range in L/s	Range Reynolds Number (R _D)
3/4 in (DN 15)	197 (5580)	6.9 to 34	0.43 to 2.1	30,000 to 150,000
1 in (DN 25)	79.5 (2250)	8.9 to 56	0.56 to 3.5	30,000 to 190,000
1 1/2 in (DN 40)	20.1 (570)	14 to 140	0.88 to 8.7	30,000 to 300,000
2 in (DN 50)	9.11 (258)	18 to 230	1.1 to 15	30,000 to 380,000
3 in (DN 80)	2.78 (78.7)	34 to 500	2.1 to 32	38,000 to 570,000
4 in (DN 100)	1.23 (34.8)	59 to 890	3.7 to 56	50,000 to 750,000
6 in (DN 150)	0.353 (10.00)	140 to 2,000	8.5 to 130	76,000 to 1,100,000
8 in (DN 200)	0.150 (4.26)	240 to 3,600	15 to 220	100,000 to 1,500,000

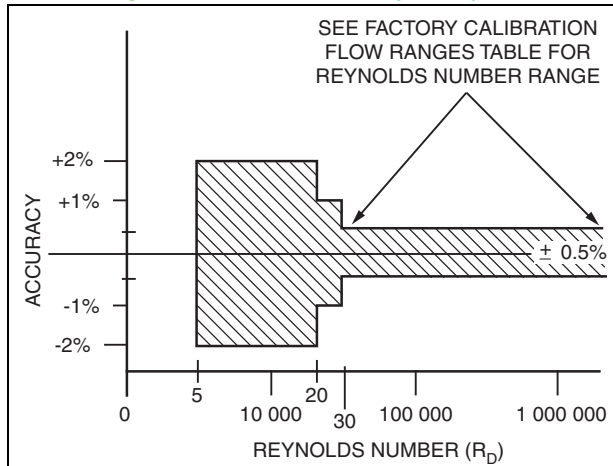
- a. The K-factor is the relationship between input (volumetric flow rate) and the output (pulse rate). *Reference* K-factor is the arithmetic mean value of K-factor over a designated flow rate range (reference conditions). The mean K-factor is derived as: Mean K-factor = (KMAX + KMIN) / 2 where KMAX is the Maximum K-factor and KMIN is the Minimum K-factor over the calibrated flow range.
- b. Factory calibrated Reynolds Number range applies to standard temperature sensor without isolation valve. Other sensor selections and manifold selections may alter the calibration range. See the FlowExpertPro program for specific calibration ranges.

Accuracy for Liquids

Accuracy within the calibrated range is as follows (also see Figure 1):

- ▶ Above 30,000 R_D; ±0.5%
- ▶ Between 20,000 and 30,000 R_D; ±1.0%
- ▶ Between 5,000 and 20,000 R_D; ±2.0%

Figure 1. Flowmeter Accuracy for Liquids



Accuracy for Gases and Steam

Accuracy within the calibrated range is as follows:

- ▶ Above 20,000 R_D; ±1.0%
- ▶ Between 5,000 and 20,000 R_D; ±2.0%

NOTE

To achieve the fluid accuracies listed above, the flowing density and viscosity must be entered in the database configuration. Also, refer to FlowExpertPro.com to determine accuracy for specific applications.

Supply Voltage Effect (Within Stated Limits)

- ▶ With Pulse Output: No effect on accuracy
- ▶ With Analog Output: Less than 0.005% per volt
- ▶ With Digital Output: No effect on accuracy

Ambient Temperature Effect (Amplifier only)

- ▶ With Pulse Output: $\pm 0.01\%$ of reading from -40° to $+176^{\circ}\text{F}$ (-40° to $+80^{\circ}\text{C}$) ⁽¹⁾
- ▶ With Analog Output: For 50°F (28°C) change in ambient temperature within operative limits.
 - Zero (4 mA): $\pm 0.02\%$ of span maximum
 - Span (16 mA): $\pm 0.1\%$ of span maximum
- ▶ With Digital Output: $\pm 0.01\%$ of reading from -40° to $+176^{\circ}\text{F}$ (-40° to $+80^{\circ}\text{C}$) ⁽¹⁾

Relative Humidity Effect

No effect if covers and conduit seals are properly installed.

EMI and RFI Effects

The flowmeters meet the EMI and RFI requirements of EN 61326-1.

Vibration Effect

The flowmeter complies with IEC 60068-2-6 for 10 to 500 Hz up to 2 “g”.

Position Effect (Filled Pipe Conditions)

For most applications, the flowmeter can be mounted in a pipeline which may run in any direction from the vertical (flow in upward direction) to the horizontal. Measurement of liquid and gas streams is not affected by the pipeline orientation or the flowmeter orientation in the pipeline.

For saturated steam, the recommended flowmeter position is in a horizontal pipe with the electronics housing located below the pipeline.

For superheated steam, the electronics housing may be left or right or below the pipeline. The flowmeter should be insulated to maintain superheat conditions within the flowmeter, as well as insulating the electronics away from the rising heat. The electronics temperature must not exceed 176°F (80°C) under any conditions.

Refer to Recommended Mounting Arrangements section for further information.

FUNCTIONAL SPECIFICATIONS

Direct Connectivity to I/A Series Open Industrial System

The Model 84W can be connected directly to the I/A Series System using fieldbus modules (FBMs). An FBM applicable to your installation can be provided.

Remote Communication/Configuration

Refer to Table 1 for remote configurators and communicators used with these flowmeters.

Local Communication/Configuration

In addition to remote communications, a local digital indicator/configurator with pushbuttons is also available for local interrogation and configuration.

Communication Format

Digital communications is provided in both the analog (4 to 20 mA) and digital modes based upon the FSK (Frequency Shift Keying) technique. See Table 1 for communication parameters.

Table 1. Remote Communication Parameters

Parameter	Hart Analog or Digital Multidrop Mode
Remote Configurator/Communicator	HART Communicator or PC-Based Configurator
Communication Rate	1200 baud
Communication Distance (Rated)	6,000 ft (1,800 m)
Flow/Total Measurement Update	5 times/s
Raw Pulse Measurement Update	Vortex Shedding Frequency

Write Protect Jumper

A write protect jumper provides additional defense by allowing the user to help prevent the local indicator (configurator) and remote configurator from writing to the electronics. This write protection capability meets the security requirements of ISA-584.01-1986.

1. The 176°F (80°C) temperature may be extended to 185°F (85°C). Refer to Electrical Safety Specifications table further in the document.

Password Protection

This is provided in the local display/configurator mode to help ensure operating integrity. A second level of protection is provided for configuration integrity.

On-Line Diagnostics

Flowmeter uses many internal diagnostic functions including hardware checks, and internal code and database validation. Error checking and diagnostic codes are also embedded in the communications protocol. These diagnostics are performed at startup and as continuous background checks.

Offline Diagnostics (Self-Test)

The configurators allow self-tests to be initiated to validate the transmitter electronics. This test uses an internally generated frequency signal.

Power Supply Requirements (Standard Power Versions)

Supply Current

- ▶ Digital Mode: 10 mA dc nominal
- ▶ Analog Mode: 22 mA dc maximum
- ▶ Pulse Output: 20 mA dc maximum

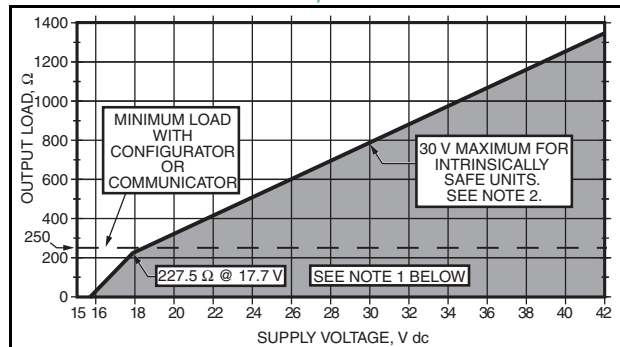
Supply Voltage

15.5 to 42 V dc, depending on electrical safety approvals and certifications. Refer to Figure 2.

NOTE

When operating at ambient temperatures below -20°F (-29°C), it is important to maintain a minimum loop voltage of 15.75 V dc to maintain remote configurator communications capability.

Figure 2. Supply Voltage vs Output Load for 4 to 20 mA Output



NOTE

1. The transmitter will function with an output load less than 250 Ω provided that a PC-based Configurator or HART Communicator is not connected to it. Connecting a PC-Based Configurator or HART Communicator while operating in this area may cause output disturbances and/or communication problems.
2. With intrinsically safe certifications with a 24 V dc supply, an active barrier is required.

Power Supply Requirements (Low Power Versions)

Supply Current

10 mA dc nominal

Supply Voltage Limits

10 and 42 V dc

NOTE

For proper operation, 10 V dc must be maintained at the flowmeter terminals. For HART communications, a 250 Ω load resistor must be included in the power supply loop and a supply voltage of 12.5 V dc must be maintained. See installation MI for typical installation topologies.

Output Damping

Damping smooths the flow rate output, and optimizes the flowmeter's response time to the control system. Damping is an exponential filter with a selectable time constant; it can be set between 0 and 32 seconds. An eight second damping factor will pass 64% of the step change in this time period. Damping applies to all outputs except the Raw Pulse Output where no damping is applied to the direct vortex shedding frequency.

Response Time (Without Damping)

Analog Mode

0.5 second or the vortex shedding period for frequencies less than 2 Hz.

Digital Mode

0.5 second or the vortex shedding period for frequencies less than 2 Hz.

Pulse Output

- ▶ Raw Pulse: Vortex shedding frequency
- ▶ Rate or Total Pulse: 0.25 s or the vortex shedding period for frequencies less than 2 Hz.

Outputs

These flowmeters with full-featured electronics can support the following outputs:

- ▶ HART Version -T: Digital and 4 to 20 mA output, with a pulse output
- ▶ HART Version -U: Digital and 4 to 20 mA output
- ▶ HART Version -L: Digital output with a pulse output

Analog Output

Flow rate available as a 4 to 20 mA signal with the 20 mA value being set by the configured full range flow rate.

Digital Output

Digital information is superimposed on a 4 to 20 mA signal (standard power versions) or the power supply loop (low power versions) at 1200 baud (see Table 1). For low power versions, output is fixed at 10 mA.

Pulse Output

The pulse output can be configured with the full-function electronics: raw pulse, rate pulse, and total pulse.

- ▶ Raw Pulse: This is the vortex shedding frequency directly passed through providing an instantaneous, nondampened frequency output.
- ▶ Rate Pulse: The frequency of this output is a 50% duty cycle pulse output with a frequency range of 0 to 10, 0 to 100, or 0 to 1000 Hz, proportional to zero flow to the full range flow rate/upper range value (URV).
- ▶ Total Pulse: The frequency of this output is also a 50% duty cycle pulse output that is configured to provide a pulse when a determined volumetric/totalized unit has flowed through the meter.

Pulse Output Specifications

The pulse output is an externally powered 2-wire transistor switch type output. This output can be configured using any applicable configuration device to select any one of three types of pulse outputs: raw pulse, rate pulse, and total pulse. The following specifications apply to all three types of outputs:

- ▶ Isolated 2-Wire Transistor Switch
- ▶ Applied Voltage: 5 to 30 V dc
- ▶ Maximum "ON" State Voltage Drop: 1.0 V dc
- ▶ Maximum "ON" State Current: 20 mA
- ▶ Reverse polarity protected
- ▶ Short circuit protected
- ▶ Connectable to pull up or pull down counters.

Output Combinations (4 to 20 mA Outputs)

Flowmeter wired as a 2-wire device without pulse output, and as a 4-wire device with pulse output.

Nominal Flow Velocity Limits

These limits can be calculated using Table 2. In the table, ρ_f is the fluid density at flowing conditions in lb/ft³ for U.S. customary units, or in kg/m³ for SI units. The specifications apply for most applications, but can deviate slightly for some combinations of density and line size.

Table 2. Nominal Flow Velocity Limits

Range Limit	Standard Temperature Range		Extended Temperature Range	
	ft/s	m/s	ft/s	m/s
Lower	$2.5/\sqrt{\rho_f}$	$3.0/\sqrt{\rho_f}$	$5.0/\sqrt{\rho_f}$	$6.0/\sqrt{\rho_f}$
Upper	$250/\sqrt{\rho_f}$	$300/\sqrt{\rho_f}$	$250/\sqrt{\rho_f}$	$300/\sqrt{\rho_f}$

Flowmeter Ranges

Flowmeter is shipped with flow range specified in the sales order or with a default flow range equal to the meter capacity. It can be reranged by the user keeping the same flow rate units, choosing new flowrate units from a built-in menu-selectable list, or entering custom flow rate units. Table 2 is included for reference only. Please visit www.FlowExpertPro.com to determine flow velocity limits.

Reference K-Factor

The reference K-factor is a coefficient that specifies the flowmeter calibration and is expressed as pulses per unit volume, where pulses/unit volume = pulses per second divided by volume flow per second.

The reference K-factor is the arithmetic mean value of K over the factory-calibrated flow range. It is determined at the factory by actual flow calibration with water by comparison to a master flowmeter calibration, or by actual static weight. Both calibrations are traceable to NIST. The reference K-factor is entered in the flowmeter database and stamped on the data plate. Once established, this K-factor is available to gas, liquid, or steam applications.

Flowing K-Factor

The flowing K-factor is computed from the K-reference expressed in specified flowing units, and can be corrected for the following:

- ▶ Process Temperature
- ▶ Mating Pipe
- ▶ Upstream Disturbances

Process Temperature Correction

The flowmeter computes a corrected K-factor at the specific process temperature entered by the user.

Process Temperature Effect on K-Factor

There is an effect on the reference K-factor due to a diameter change of the flowtube bore with temperature. The effect is -0.3% of flow rate per 100°F (55°C) increase in temperature. These flowmeters will automatically recompute a flowing K-factor when process temperature is entered in the database fluid definition.

K-Factor Bias

Provisions are made in the configuration menu to bias the flowmeter K-factor by a percent (%) value. Flowing K-factor value will be automatically recalculated when the % bias is entered.

Static Pressure Limits

Minimum Static Pressure

The minimum static pressure is that pressure which is sufficient to help prevent flashing and meet the pressure drop requirements to attain maximum flow rate. Refer to the FlowExpertPro sizing program.

Maximum Static Pressure

1500 psig (103.4 bar) (10 340 kPa) or that imposed by flange rating.

Approximate Pressure Loss (Pressure Drop)

The maximum pressure loss at maximum flow for any fluid is 8 psi (55 kPa). For many flow conditions, however, the actual pressure loss is much less than 8 psi (55 kPa). Use the FlowExpertPro sizing program to determine actual pressure loss for a given set of flow conditions.

Minimum Back Pressure (Volatile Liquids or Low Pressure Conditions)

Any condition that tends to contribute to the release of vapor from the liquid (flashing, which may also induce cavitation) shall be avoided by proper system design and operation of the flowmeter within the rated flow rate range. Location of flowmeter should consider the need for using a back-pressure valve, or for increasing inlet pressure. To avoid flashing and to help ensure stable vortex generation, the minimum back pressure should be:

$$P_G = (3)(\Delta P) + (1.25)(p_v) - (p_{atm})$$

where

- P_G = Gauge pressure in kPa or psi five pipe diameters downstream of the flowmeter
- ΔP = Pressure loss in psi or kPa; see "Approximate Pressure Loss (Pressure Drop)" on page 9
- p_v = Vapor pressure at line conditions in psi or kPa absolute
- p_{atm} = Atmospheric pressure in psi or kPa absolute

Flange Pressure-Temperature Ratings

See MI 019-202 and MI 019-211 for ANSI and DIN flange pressure-temperature ratings. These ratings are also embedded in the FlowExpertPro sizing tool. See Figure 5 for pressure-temperature limits when isolation valves are used. Also note the temperature limit when fluorolube fill (200°F/93°C) or silicone fill (400°F/204°C) is used, or when no fill (800°F/427°C) is used with extended temperature applications.

Functional Block Diagrams

Figure 3. HART 4 to 20 mA Topology

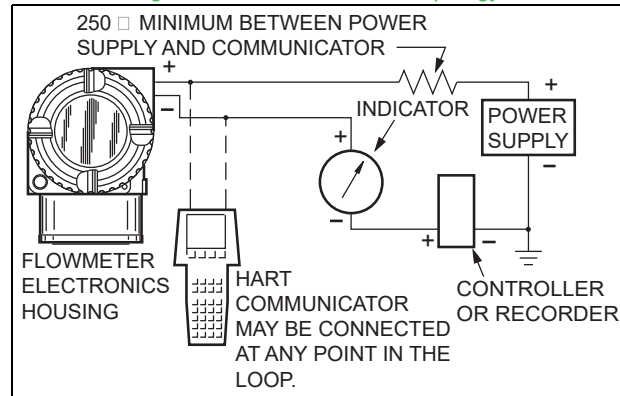


Figure 4. HART Multidrop Topology

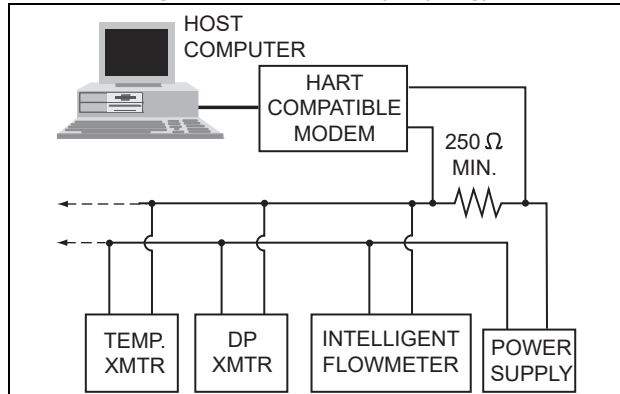
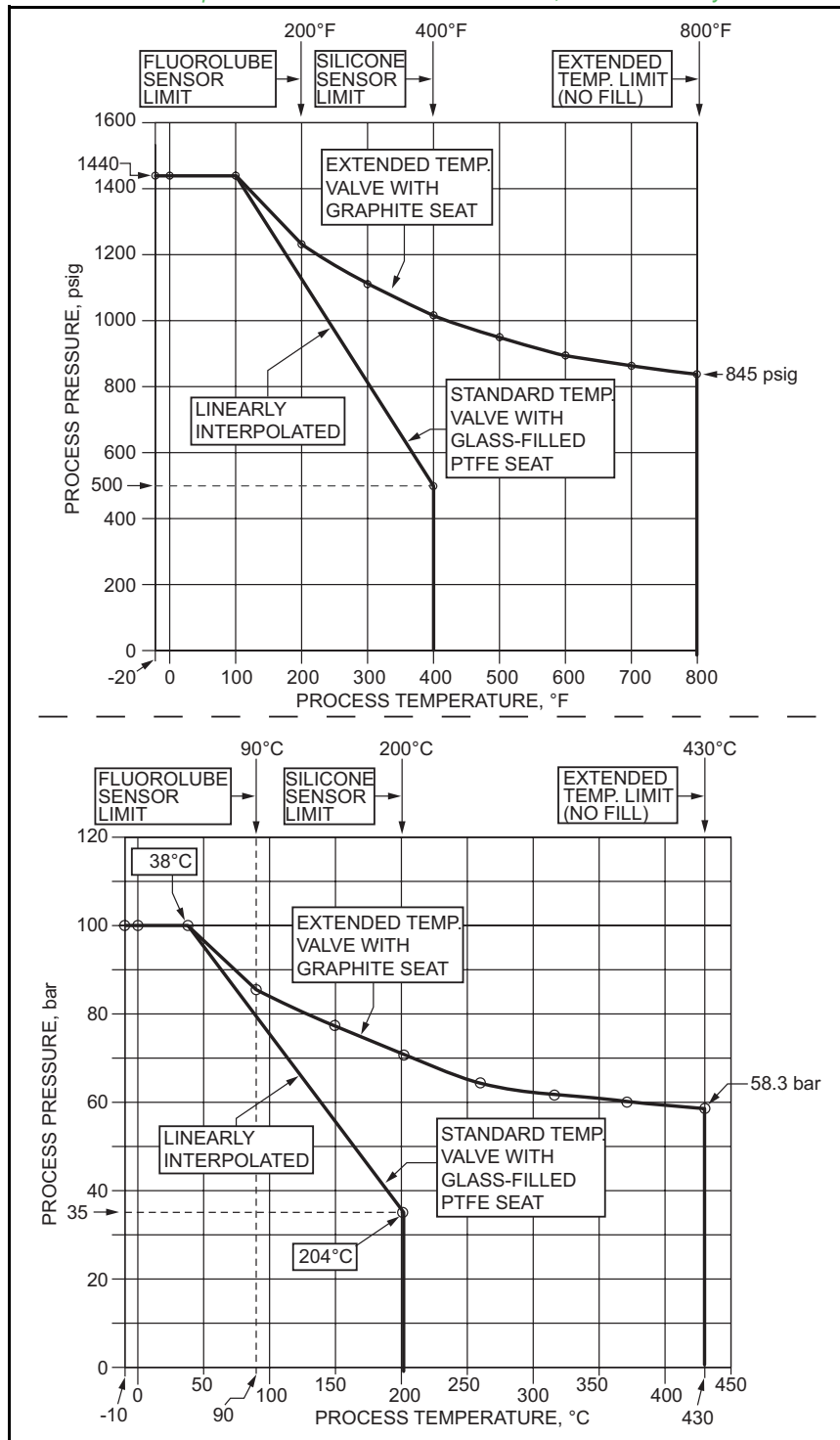


Figure 5. Pressure-Temperature Limits with Isolation Valves; U.S. Customary and Metric Units



PHYSICAL SPECIFICATIONS

See Model Code for options

Process-Wetted Parts

Flowmeter Body and Shedding Bar

- ▶ 316 ss for all sizes; or
- ▶ Nickel alloy CW2M⁽²⁾ for 3/4 to 4 in (DN 15 to DN 100) sizes.

Gaskets and Flow Dam (sensor seals)

- ▶ Standard Temperature Sensor
 - PTFE gasket and flow dam
- ▶ High Temperature Sensor
 - 316 ss gasket; 316 ss/grafoil flow dam
 - Nickel alloy CW2M⁽²⁾ gasket; nickel alloy CW2M/grafoil flow dam

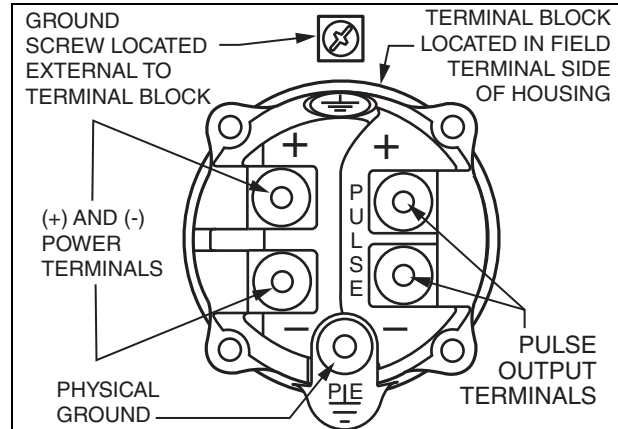
Flowmeter Mounting

Flowmeter can be located in a pipeline which may run in any direction from the vertical (upward flow) to the horizontal. The electronics housing can also be rotated 270° (in 90° increments) with respect to the body. A vertical pipeline is preferred for batch operations. See “RECOMMENDED MOUNTING ARRANGEMENTS” on page 17.

Electrical Connections

Field wires enter through 1/2 NPT or M20 conduit threaded entrances on either side of the electronics housing. Wires terminate under screw terminals and washers on terminal block (see Figure 6) in the field terminal compartment. Unused entrance is plugged to help ensure moisture and RFI/EMI protection.

Figure 6. Terminal Block



Electronics Housing and Housing Covers

A two compartment housing separates the electronics from the field connections. Material is low copper (0.6% maximum) die-cast aluminum alloy with epoxy finish. Buna-N O-ring seals are used to seal the housing covers, housing neck, and terminal block.

Electronics Module

Printed wiring assemblies (PWAs) are conformally coated for moisture and dust protection.

Environmental Protection

The electronics housing has the dusttight and weatherproof rating of IP66 as defined by IEC 60529, and provides the environmental and corrosion resistant protection rating of NEMA 4X.

2. Equivalent to Hastelloy® C-4C. Hastelloy® is a registered trademark of Haynes International, Inc.

Isolation Valve

(If applicable; see Model Code for selection options.)

- ▶ Valve Body: Grade CF8M stainless steel
- ▶ Valve Ball: 316 ss
- ▶ Valve Seats:
 - Standard Temperature: Glass-Filled PTFE
 - Extended Temperature: Graphite
- ▶ Stem Seal: The valve stem seal meets the external leakage requirements for fire safety per API Standard 607.
- ▶ Valve Handle: Use adjustable wrench.
- ▶ Seat Leakage
 - Standard Temperature
Class IV – Less than 5 mL/h per MSS-SPG1.
 - High Temperature
Class IV per ANSI/FCI-70.2
- ▶ Flow Velocity Limits: See “Nominal Flow Velocity Limits” on page 9.
- ▶ Applications: Recommended for use with clean liquids, saturated steam, and all gases.
- ▶ Limitations: Not recommended for use with superheated steam without insulation, or liquids with suspended solids.
- ▶ Mounting: See MI 019-202 for installation guidelines.
- ▶ Pressure/Temperature Rating:

Both standard and extended (high) temperature isolation valves have a maximum pressure rating of 1440 psi at 100°F (100 bar at 38°C). The standard temperature valve with PTFE seats is further limited to a maximum pressure of 500 psi at 400°F (35 bar at 204°C). The extended temperature valve has an ANSI Class 600 temperature and pressure rating. See Figure 5.

Data Plate

Stainless steel data plate encircles and is fastened to the lower part of the electronics housing. Includes conventional Model and operating data, including the factory calibration factor (K-factor). If additional tag data space is required, an optional Stainless Steel Customer Tag is offered.

NACE Certification

These flowmeters have been designed to meet the requirements of NACE Standard MR-0175-2003 for use in H₂S Sour Oilfield environments. The design and process wetted materials also comply with NACE Standard MR-0103-2007 for use in corrosive petroleum refining environments. A NACE compliance certificate is available by selecting the - Q option.

Dimensions

Refer to Dimensions - Nominal section for general outline data. For more dimensional details, refer to the following Dimensional Prints (DPs).

Model	Configuration	Dimensional Print
84W	Single Measurement	DP 019-122

Approximate Weight

Refer to Table 3. Weights shown in the table are approximate and are meant as a guide to the user.

- ▶ Standard temperature flowmeter weights are listed for integrally mounted electronics housings. There is a slight weight difference for high temperature flowmeters (adds about 1 lb (0.5 kg)), or for remote mounted housings (housing replaced by connector head assembly/junction box). The electronics housing itself weighs about 4 lbs (2 kg) and varies slightly depending on whether indicator/configurator, and/or extended housing covers are used.
- ▶ For single measurement flowmeters, add approximately 2 lb (1 kg) if an isolation valve is used.

Table 3. Approximate Weight - Model 84W

Nominal Line Size		Model 84W Wafer Body	
in	mm	lb	kg
3/4	DN 15	5	2.3
1	DN 25	6	2.7
1 1/2	DN 40	7	3.2
2	DN 50	10	4.5
3	DN 80	18	8.0
4	DN 100	25	11.5
6	DN 150	35	16
8	DN 200	60	27

PRODUCT SAFETY SPECIFICATIONS

Pressure Safety

Designed to withstand pressure within ANSI/ASME B16.5 up to Class 600 flange ratings, and metric EN 1092-1 up to PN 100 flange ratings.

NOTE

For 84W Wafer Body Flowmeters, the flowtube face outside diameter is designed to center between ANSI Class 150 flanges. For other flange ratings, centering spacers are provided.

Personnel and Electrical Fire Safety

This device is designed to be a minimum fire hazard by using low energy power and adequate insulation and separation of electrical circuits. The required standards of worldwide testing agencies such as FM, CSA, ATEX, IECEx, OSHA, EAC, INMETRO and KOSHA have been fulfilled.

ELECTRICAL SAFETY SPECIFICATIONS

The Model 84 has been designed to meet the electrical safety descriptions listed below. For detailed information, or status of the testing laboratory approval/certification, contact Global Customer Support.

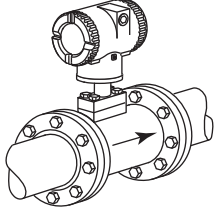
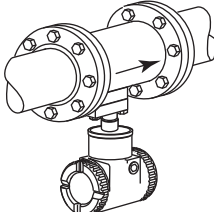
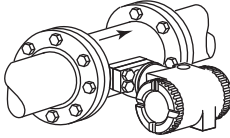
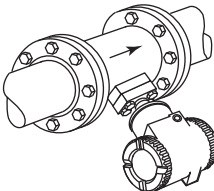
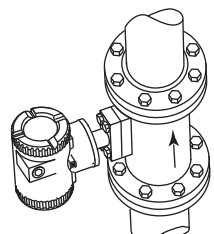
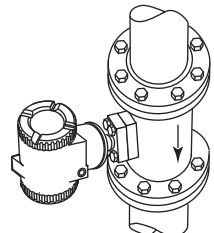
With intrinsically safe approvals and certifications with a 24 V dc supply, an active barrier is required.

Refer to MI 019-177 for FM and CSA Connection Diagrams; refer to MI 019-179 for ATEX and IECEx Safety Information.

Agency, Types of Protection, and Area Classification	Application Conditions	Elect. Safety Design Code
ATEX Intrinsically safe: II 1G; II 2D; Ex ia IIC T4 Ga Ex tb IIIC T103°C Db	Sira 06ATEX2067X Integrally mounted or remote mounted (electronics and junction box). Temperature Class T4; Ta = -40° to +80°C	E
ATEX Flameproof: II 2/1 (1) G; II 2D Ex d [ia Ga] ia IIC T4 Gb; Ex tb IIIC T85°C Db	Sira 06ATEX2067X Integrally mounted electronics. Temperature Class T4; Ta = -20° to +80°C	H
ATEX Flameproof: II 2/1 (1) G; II 2D Ex d [ia Ga] IIC T4 Gb; Ex tb IIIC T85°C Db	Sira 06ATEX2067X Electronics housing of remote mounted version. Temperature Class T4; Ta = -20° to +80°C	H
CSA Intrinsically safe: Class I, II, III, Div. 1, Groups A, B, C, D, E, F, and G. Ex ia IIC T4	Temperature Class T4; Ta = -40° to +80°C	C
CSA Explosionproof with Intrinsically Safe sensor connections: Class I, Div. 1, Groups A, B, C, and D; Class II, Div 1, Groups E, F, and G; Class III; [Ex ia]; T5; Ex d [ia] IIC T5 Dust-ignitionproof for Class II, Div. 1, Groups E, F, and G; Class III, Div. 1 Also Zone certified Ex d [ia] IIC.	Temperature Class T5; Ta = 60°C Temperature Class T5; Ta = -40° to +80°C	D
CSA Class I, Division 2: Class I, Div. 2, Groups A, B, C, and D; Class II, Div. 2, Groups E, F and G; Class III.	Temperature Class T4; Ta = 80°C	M
EAC intrinsically safe: 0Ex ia IIC T4 Ga; Ex tb IIIC T103°C Db	IS Integral or Remote Mount Temperature Class: (-40°C ≤ Ta ≤ +80°C)	1
EAC flameproof: 1Ex d [ia Ga] IIC T4 Gb; Ex tb IIIC T85°C Db	Flameproof Integral Temperature Class: (-20°C ≤ Ta ≤ +80°C)	2
EAC flameproof: 1Ex d [ia Ga] IIC T4 Gb; Ex tb IIIC T85°C Db	Intrinsically Safe Remote Temperature Class: (-20°C ≤ Ta ≤ +80°C)	
FM Intrinsically safe: Class I, II, III, Div. 1, Groups A, B, C, D, E, F, G; T4 Class I Zone 0 AEx ia IIC T4	Temperature Class T4; Ta = 80°C	F
FM Explosionproof with Intrinsically Safe sensor connection: Class I, II, III, Div.1, Groups B, C, and D; T5 Dust-ignitionproof for Class II, III, Div. 1, Groups E, F, and G	Temperature Class T5; Ta = 85°C	G

Agency, Types of Protection, and Area Classification	Application Conditions	Elect. Safety Design Code
FM Nonincendive: Class I, II, Div. 2, Groups A, B, C, and D; T4 Class II, III, Div. 2, Groups F and G	Temperature Class T4; Ta = 80°C	K
IECEX Intrinsically safe: Ex ia IIC T4 Ga; Ex tb IIIC T103°C Db	IECEX SIR 06.0020X Temperature Class T4; Ta = -40° to +80°C	L
IECEX Flameproof: Ex d [ia Ga] ia IIC T4 Gb Ex tb IIIC T85°C Db	IECEX SIR 06.0020X Integrally mounted electronics. Temperature Class T4; Ta = -20° to +80°C	B
INMETRO, intrinsically safe: Ex ia IIC T4 Ga; Ex tb IIIC T103°C Db	IS Integral or Remote Mount Temperature Class: (-40°C ≤ Ta ≤ +80°C)	3
INMETRO, flameproof: Ex d ia [ia Ga] IIC T4 Gb; Ex tb IIIC T85°C Db	Flameproof Integral Temperature Class: (-20°C ≤ Ta ≤ +80°C)	4
INMETRO, flameproof: Ex d [ia Ga] IIC T4 Gb; Ex tb IIIC T85°C Db	Intrinsically Safe Remote Temperature Class: (-20°C ≤ Ta ≤ +80°C)	
KOSHA flameproof: Ex d [ia] ia IIC T4; Ex tb IIIC T85°C Db	Flameproof Integral Temperature Class: (-20°C ≤ Ta ≤ +80°C)	5
KOSHA flameproof: Ex d [ia] IIC T4; Ex tb IIIC T85°C Db	Intrinsically Safe Remote Temperature Class: (-20°C ≤ Ta ≤ +80°C)	
IECEX Flameproof: Ex d [ia Ga] IIC T4 Gb Ex tb IIIC T85°C Db	IECEX SIR 06.0020X Electronic housing of remote mounted version. Temperature Class T4; Ta = -20° to +80°C	B
NEPSI Intrinsically safe, Zone 0, Ex ia IIC	Temperature Class T4; Ta = -40° to +80°C	R
NEPSI Flameproof, Zone 1, Ex d IIC (except acetylene)	Temperature Class T5; Ta = -40° to +85°C	S
Unit with CE mark and PED controls and records		Y
Unit does not have CE mark; not to be installed in European Union (EU) countries		Z

RECOMMENDED MOUNTING ARRANGEMENTS

Flowmeter Mounting Arrangements Model 84F Single Measurement Flowmeter is Shown (Installation for 84W is similar)		Flowmeter for Use With:			
		Liquid	Gas	Saturated Steam	Superheated Steam
	Housing Above Pipe; Isolation Valve and Dual Measurement Flowmeter NOT Used.	Yes (a)	Yes	No	Yes (b)
	Housing Above Pipe; Isolation Valve and Dual Measurement Flowmeter CAN Be Used.	No (c)	Yes	No	Yes (b)
	Housing Below Pipe.	Yes (d) (e) (f)	Yes (e)	Yes	Yes (b)
	Housing to Side of Pipe.	Yes	Yes	No	Yes (b)
	Housing to Side and Below Pipe.	Yes (f)	Yes	No	Yes (b)
	Vertical Pipe, Flow upward.	Yes	Yes	No	Yes (b)
	Vertical Pipe, Flow Downward.	Yes (g)	Yes	No	Yes (b)

- a. Possibility of temporary start-up error detected due to trapped air.
- b. Requires adequate insulation.
- c. Not recommended for liquids with isolation valve.
- d. Best choice when errors are detected due to start-up cannot be tolerated.

- e. Recommended only for clean fluids.
- f. Preferred for liquids with isolation valve.
- g. Not preferred; must maintain full pipe with no voids in fluid.

OPTIONAL SELECTIONS AND ACCESSORIES

Options -B, -D, -E, -G: Cable Assembly to Remote Electronics Housing

When selecting Code -R for a Remote Mounted Housing, a cable length must be selected. Four cable lengths are offered as follows:

Option	Cable Length
-B	20 ft (6 m)
-D	30 ft (9 m)
-E	40 ft (12 m)
-G	50 ft (15 m)

Option -H: Cleaning for Oxygen or Chlorine Gas Service

Process wetted parts are cleaned for oxygen or chlorine service in compliance with Compressed Gas Association's CGA-4.1 and ASTM G93. Cleaning is not offered when an isolation valve, or dual measurement or extended temperature meters are selected.

Option -J: Gold Plated Sensor

This option is recommended for H₂ (Hydrogen) processes.

Options -L, -M, -Q: Schneider Electric Certificates of Conformance and Compliance

Three material certificates are offered. Option -L provides a certificate of compliance to the specifications of the Schneider Electric Quality System, which conforms to ISO 9001. Option -M is a certification of material for process wetted metal (conforms to BS EN 10204 3.1). Option -Q certifies that process wetted materials meet NACE Standards MR-0175-2003 and MR-0103-2007.

Option -N: Certified Calibration Certificate

A calibration and pressure test sheet come standard with each flowmeter. A certified flow calibrated K-factor and pressure test certificate is available.

Option -P: Cable Connector - Hawke-Type Cable Gland

A brass cable gland with 1/2 NPT external thread provides support for field cable. This cable connector must be qualified to meet the electrical safety specification selected. See "ELECTRICAL SAFETY SPECIFICATIONS" on page 15. Available with Electronics Housing Codes T and R only (1/2 NPT).

Option -R: Cable Connector - PG11 Cable Gland

A PG11 cable gland with 1/2 NPT external thread provides strain relieved support for field cable. The PG11 is for cable diameters from 0.31 to 0.47 inches (8 to 12 mm). This cable connector is qualified to meet the electrical safety specification selected. See "ELECTRICAL SAFETY SPECIFICATIONS" on page 15. Available with Electronics Housing Codes T and R only (1/2 NPT).

Option -T: Conduit Fitting

A conduit fitting is available with Remote Mounting Code R only. It is provided when conduit is used to enclose the cable between the flowtube body and remote transmitter. Both ends of the fitting are 1/2 NPT and interconnect the conduit and transmitter at the housing and flowtube ends.

MODEL CODE

AS Code MTS: Stainless Steel Customer Tag Accessory

A 1.5 x 3.5 in (40 x 90 mm) stainless steel tag for customer data that does not fit on the standard plate. It is fastened to housing with wire. Accommodates 10 lines of data with 40 characters/spaces per line. Tag will also show customer's K-factor (information with flowing conditions being submitted with sales order). Specify AS Code MTS.

Bolting Kits

Sets of carbon steel studs and nuts which conform to line size, and ANSI or DIN size and rating, are offered in 3/4 to 4 in line sizes for ANSI flanges, and DN 50 to DN 100 mm line sizes for DIN flanges. Refer to the following tables to select the kit and part number required.

Table 4. ANSI Flange Bolting Kit Part Numbers

Size	Cl. 150	Cl. 300	Cl. 600
3/4 in	D0148ZF	D0148ZJ	D0148ZJ
1 in	D0148ZF	D0148ZJ	D0148ZJ
1 1/2 in	D0148ZF	D0148ZK	D0148ZS
2 in	A2044HB	A2044HB (a)	A2044HC (a)
3 in	A2044HC	A2044HD	A2044HD
4 in	A2044HC (a)	A2044HD	A2044HE

a. Two kits required.

Table 5. Metric Flange Bolting Kit Part Numbers

Size	PN 16	PN 40	PN 64	PN 100
DN 50	N/A	D0148ZU	N/A	N/A
DN 80	N/A	D0148ZZ (a)	N/A	N/A
DN 100	L0114NT	L0114NT	N/A	N/A

a. Two kits required.

MODEL CODE

84W (WAFER BODY) VORTEX FLOWMETER

Description	Model
Intelligent Vortex Flowmeter – Wafer Body	84W
Electronics Type	
Intelligent Electronics, HART Communication Protocol, with Pulse Output	-T
Intelligent Electronics, HART Communication Protocol, without Pulse Output	-U
Intelligent, Electronics, Low Power HART Protocol, with Pulse Output	-L
Nominal Line Size	
3/4 in (DN 15) Line Size	3Q
1 in (DN 25) Line Size	01
1 1/2 in (DN 40) Line Size	1H
2 in (DN 50) Line Size	02
3 in (DN 80) Line Size	03
4 in (DN 100) Line Size	04
6 in (DN 150) Line Size	06
8 in (DN 200) Line Size	08
Body and Shedder Bar Material	
ASTM A351-CF8M (316 ss) Cast Body and Shedder	S
ASTM A494-CW2M Nickel Alloy (a) Cast Body and Shedder; with Size Codes 3Q to 04 only	H

Description	Model		
<u>Mounting and Centering System</u>			
<table border="0"> <tr> <td data-bbox="165 371 812 401">Description</td> <td data-bbox="812 371 1279 401">Used with Line Sizes</td> </tr> </table>	Description	Used with Line Sizes	
Description	Used with Line Sizes		
Centering for ANSI Class 150 and 300 Flanges	All line sizes	1	
Centering for ANSI Class 600 Flanges	3Q through 04 only		
Centering for Metric PN 16 Flange	01 through 03 only		
Centering for Metric PN 40 Flange	01 through 03 and 06 and 08 only		
Centering for Metric PN 63 and PN 100 Flanges	All line sizes		
Centering for ANSI Class 600 Flange	06 and 08 only	3	
Centering for Metric PN 16 Flange	04, 06, and 08 only	4	
Centering for Metric PN 40 Flange	04 only	5	
Centering for Metric PN 16 and PN 40 Flanges	Size 3Q only	9	
<u>Isolation Valve and Manifold</u>			
No Isolation Valve or Manifold	S		
Manifold with Isolation Valve, ASTM A 351-CF8M Stainless Steel (316 ss)	K		
<u>Sensor Fill, Temperature Range, and Material</u>			
Standard Temperature Range (with Fill Fluid)			
Fluorolube Fill, 0 to 200°F (-18 to +93°C), Nickel Alloy CW2M (a)	D		
Fluorolube Fill, 0 to 200°F (-18 to +93°C), Stainless Steel Type CF3M	F		
Silicone Fill, 0 to 400°F (-18 to +204°C), Nickel Alloy CW2M (a)	R		
Silicone Fill, 0 to 400°F (-18 to +204°C), Stainless Steel Type CF3M	S		
Extended Temperature Range (No Fill Fluid) (b)			
Unfilled, 300 to 800°F (149 to 427°C), Nickel Alloy CW2M (a)	C		
Unfilled, 300 to 800°F (149 to 427°C), Stainless Steel Type CF3M	T		
<u>Electronics Housing Mounting, Material, and Conduit Connections</u>			
Integrally Mounted to Flowtube; Aluminum Housing, 1/2 NPT Conduit Connection	T		
Integrally Mounted to Flowtube; Aluminum Housing, M20 Conduit Connection	V		
Remote Mounted; Aluminum Housing, 1/2 NPT Conduit Connection (c)	R		
Remote Mounted; Aluminum Housing, M20 Conduit Connection (c)	W		
<u>Local Digital Indicator/Configurator</u>			
No Digital Indicator/Configurator	N		
Full Function Digital Indicator/Configurator	J		
<u>Electrical Safety (refer to Electrical Safety Specifications section for details)</u>			
ATEX intrinsically Safe	E		
ATEX flameproof	H		
CSA intrinsically safe	C		
CSA Division 2	M		
CSA explosionproof	D		
EAC intrinsically safe	1		
EAC flameproof	2		
FM intrinsically safe	F		
FM nonincendive	K		
FM explosionproof	G		
IECEX intrinsically safe	L		
IECEX flameproof	B		
INMETRO intrinsically safe	3		
INMETRO flameproof	4		

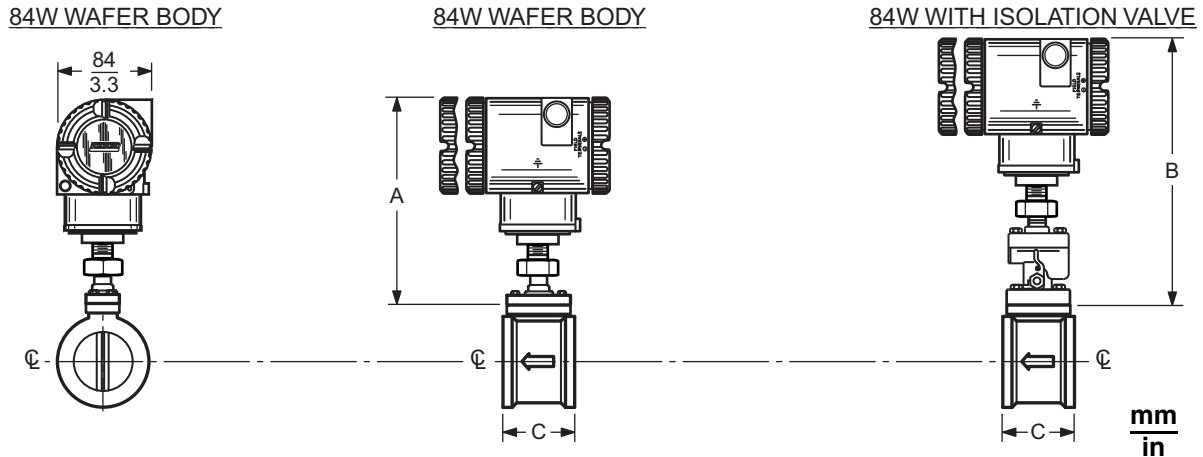
MODEL CODE

<u>Description</u>	<u>Model</u>
Electrical Safety (refer to Electrical Safety Specifications section for details) continued	
KOSHA, flameproof	5
NEPSI intrinsically safe	R
NEPSI flameproof	S
No Agency Electrical Certifications; with CE mark, PED Controls and Records	Y
No Agency Certifications; no CE mark; Units not to be installed in European Union (EU) countries	Z
Optional Selections	
Cable Length Selection for Remote Electronics Housing	
20 ft (6 m) Cable to Connect to Remote Electronics Housing	-B
30 ft (9 m) Cable to Connect to Remote Electronics Housing	-D
40 ft (12 m) Cable to Connect to Remote Electronics Housing	-E
50 ft (15 m) Cable to Connect to Remote Electronics Housing	-G
Cleaning - Oxygen/Chlorine Service	
Cleaning of Process Wetted Parts per Compressed Gas Association's CGA G-4.1 and ASTM G93 Not available with Isolation Valve Code K, or Sensor Codes C and T	-H
Sensor Plating	
Gold Plated Sensor	-J
Schneider Electric Certificates of Compliance/Conformance	
Standard Certificate of Compliance	-L
Material Certification of Process Wetted Metal (Conforms to BS EN 10204 3.1)	-M
Process Wetted Parts Comply with NACE Standards MR-0175-2003 and MR-0103-2007	-Q
Schneider Electric Calibration Certificate	
Calibration and Pressure Test Certified Copy	-N
Cable Connectors – with Electronics Housing Codes T and R only (1/2 NPT)	
Hawke-Type Cable Gland (available only with electrical safety codes Y and Z)	-P
PG11 Cable Gland, Trumpet Shaped (not with explosionproof/flameproof certifications)	-R
Conduit Fitting	
Adapter for use with 1/2 NPT conduit (Available with Remote Mounted Housing Code R only)	-T
Instruction Manual	
Detailed Instruction Manual in hard copy format (d)	-C
Examples: 84W-T02S1SRRJF-D; 84W-U04H4SRTNF-CL	

- Equivalent to Hastelloy® C-4C.
- Application ALERT: For Extended Temperature Range sensors used in hazardous or volatile gas applications, there is the potential of fugitive emissions to occur through the sensor vented restrictor if the sensor diaphragm were to fail.
- With remote mounted electronics housing, you must also select Optional Cable Length -B, -D, E, or -G.
- A DVD containing the full documentation set is shipped standard with this product.

DIMENSIONS - NOMINAL

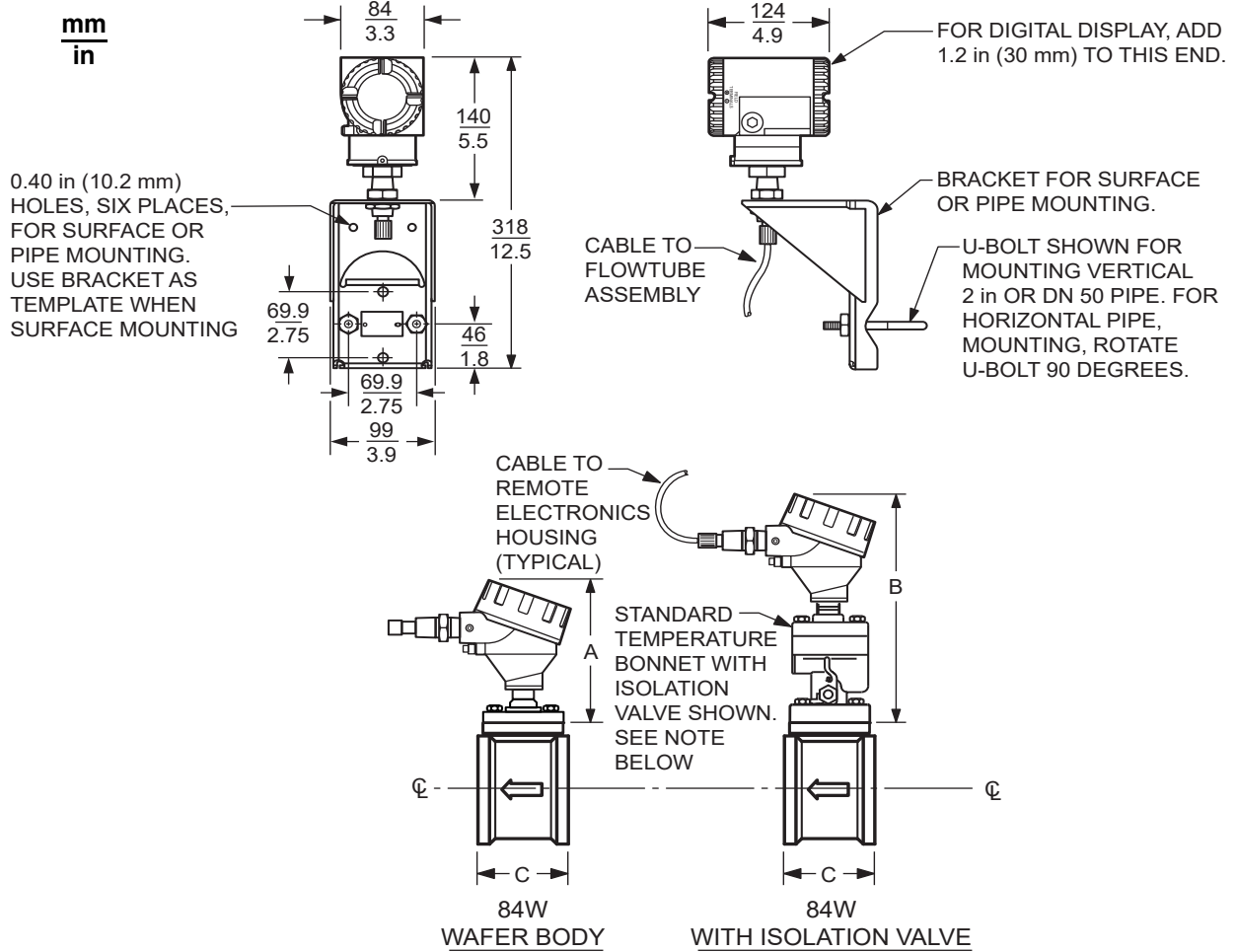
84W (WAFER BODY) FLOWMETERS; INTEGRAL MOUNT; SINGLE MEASUREMENT



Dimension	Dimensions - Nominal Line Size Code (a)							
	3Q	01	1H	02	03	04	06	08
A (b)	$\frac{173}{6.8}$	$\frac{173}{6.8}$	$\frac{173}{6.8}$	$\frac{173}{6.8}$	$\frac{173}{6.8}$	$\frac{173}{6.8}$	$\frac{173}{6.8}$	$\frac{173}{6.8}$
B (b)	$\frac{269}{10.6}$	$\frac{269}{10.6}$	$\frac{269}{10.6}$	$\frac{269}{10.6}$	$\frac{269}{10.6}$	$\frac{269}{10.6}$	$\frac{269}{10.6}$	$\frac{269}{10.6}$
C	$\frac{79.5}{3.13}$	$\frac{79.5}{3.13}$	$\frac{79.5}{3.13}$	$\frac{79.5}{3.13}$	$\frac{95.3}{3.75}$	$\frac{120.7}{4.75}$	$\frac{177.8}{7.00}$	$\frac{228.6}{9.00}$

- a. Refer to Model Code section for sizes. Also refer to DP 019-122 for 84W dimensions.
- b. Dimensions A and B are shown with the standard temperature bonnet. A longer bonnet is used in extended temperature applications; when this selection is made, add 3.6 in (91.4 mm) to Dimensions A and B.

84W (WAFER BODY) FLOWMETERS WITH REMOTE MOUNTED ELECTRONICS



Dimension	Dimensions - Nominal Line Size Code (a)							
	3Q	01	1H	02	03	04	06	08
A (b)	$\frac{173}{6.8}$	$\frac{173}{6.8}$	$\frac{173}{6.8}$	$\frac{173}{6.8}$	$\frac{173}{6.8}$	$\frac{173}{6.8}$	$\frac{173}{6.8}$	$\frac{173}{6.8}$
B (b)	$\frac{269}{10.6}$	$\frac{269}{10.6}$	$\frac{269}{10.6}$	$\frac{269}{10.6}$	$\frac{269}{10.6}$	$\frac{269}{10.6}$	$\frac{269}{10.6}$	$\frac{269}{10.6}$
C (c)	$\frac{79.5}{3.13}$	$\frac{79.5}{3.13}$	$\frac{79.5}{3.13}$	$\frac{79.5}{3.13}$	$\frac{95.3}{3.75}$	$\frac{120.7}{4.75}$	$\frac{177.8}{7.00}$	$\frac{228.6}{9.00}$

- a. Refer to Model Code section for sizes. Also refer to DP 019-122 for 84W dimensions.
- b. Dimensions A and B are shown with the standard temperature bonnet. A longer bonnet is used in extended temperature applications. When this selection is made, add 3.6 in (91.4 mm) to Dimensions A and B.
- c. Dimensions C and D are face-to-face dimensions.

ORDERING INSTRUCTIONS

1. Model Number
2. Flow Data:
 - a. Maximum, minimum, and normal flow rate
 - b. Fluid composition and viscosity at operating temperatures
 - c. Fluid density or relative density (specific gravity)
 - d. Maximum, minimum, and normal operating temperatures
 - e. Maximum, minimum, and normal operating pressures
 - f. Mating pipe schedule
 - g. Type and location (distance) of upstream disturbances
3. Calibration Information (analog output only); maximum flow rate at 20 mA output
4. Electrical Classification
5. Optional Selections and Accessories
Select from Model Code or "Optional Selections and Accessories" section
6. Customer Tag Data

ADDITIONAL PRODUCTS

These product lines offer a broad range of measurement and instrument products, including solutions for pressure, flow, analytical, temperature, positioning, controlling, and recording. For a list of these offerings, visit our web site at:

www.schneider-electric.com

Schneider Electric Systems USA, Inc.
38 Neponset Avenue
Foxboro, MA 02035
United States of America
<http://www.schneider-electric.com>

Global Customer Support
Inside U.S.: 1-866-746-6477
Outside U.S.: 1-508-549-2424
<https://pasupport.schneider-electric.com>

Copyright 2006-2019 Schneider Electric Systems USA, Inc. All rights reserved.

The Schneider Electric brand and any trademarks of Schneider Electric SE or its subsidiaries are the property of Schneider Electric SE or its subsidiaries. All other trademarks are the property of their respective owners.

