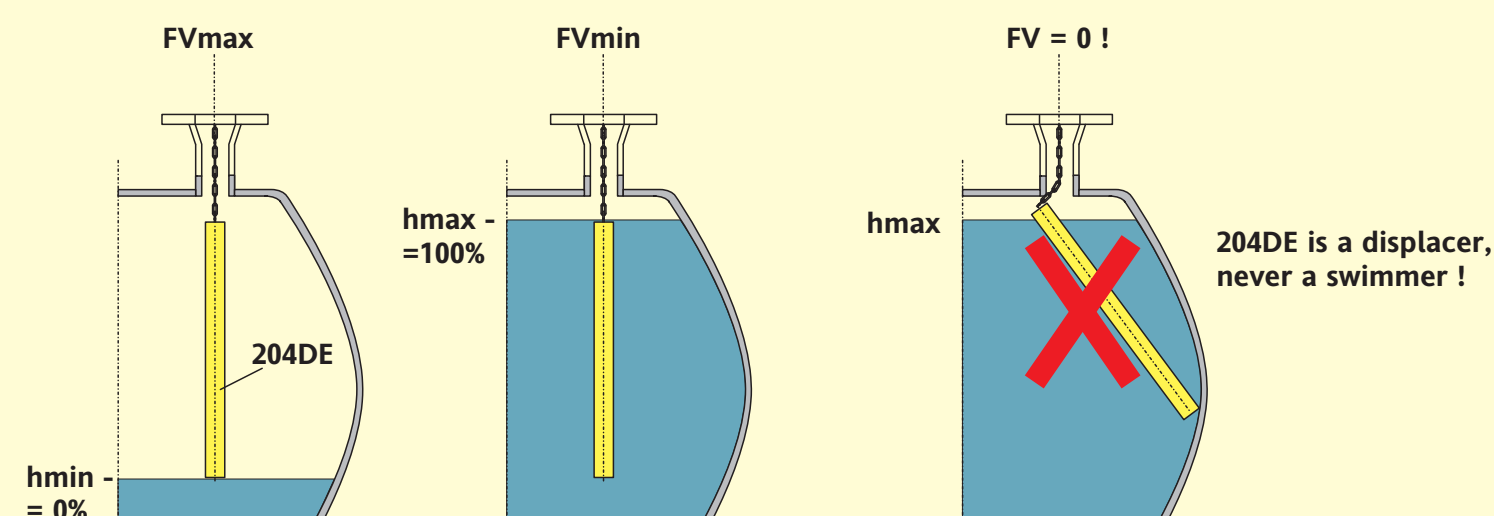


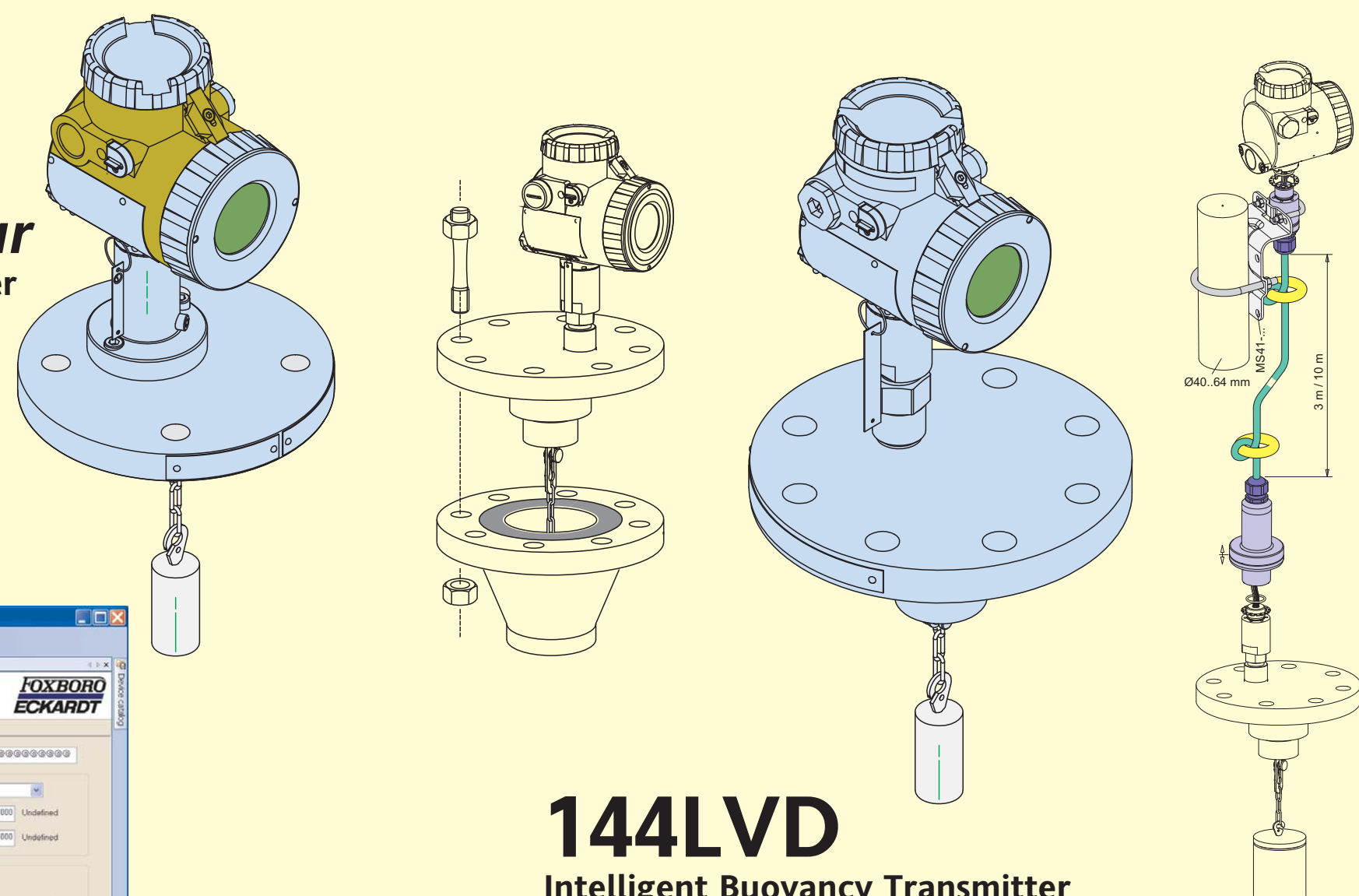
Level Measurement Solutions

HART · 4-20 mA · PROFIBUS-PA
FOUNDATION Fieldbus H1

with intelligent Transmitters for
Liquid Level, Interface and Density



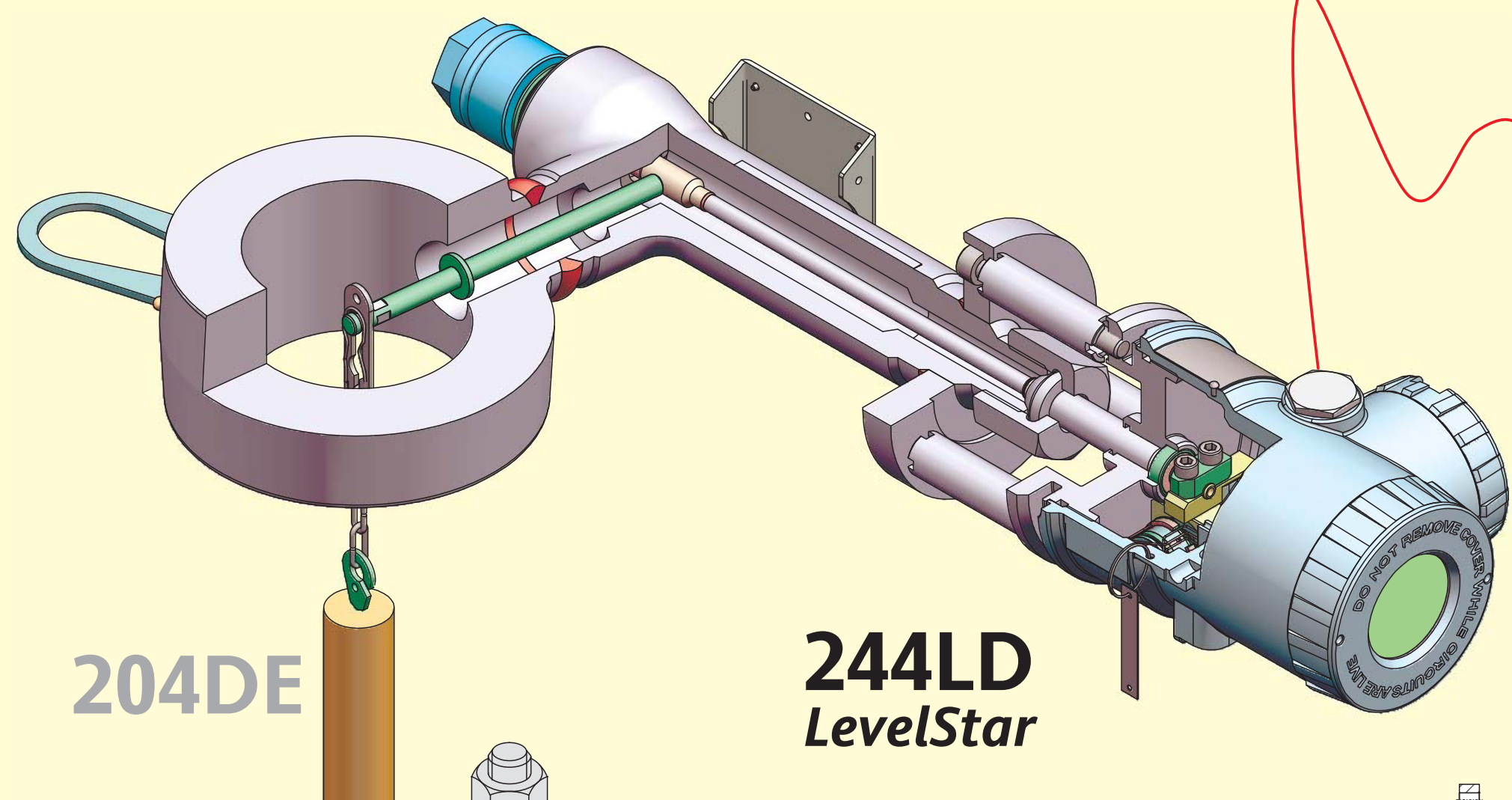
244LVP LevelStar
Intelligent Buoyancy Transmitter
Medium -50...+150°C, 100...2000 kg/m³
Ambient temp -40...+85°C
DN 50, DN 80, ANSI
PN 40, Meas.Length 5 cm...3 m
Span 2...20 N, Fv max 25 N
Outp 4-20 mA / Hart



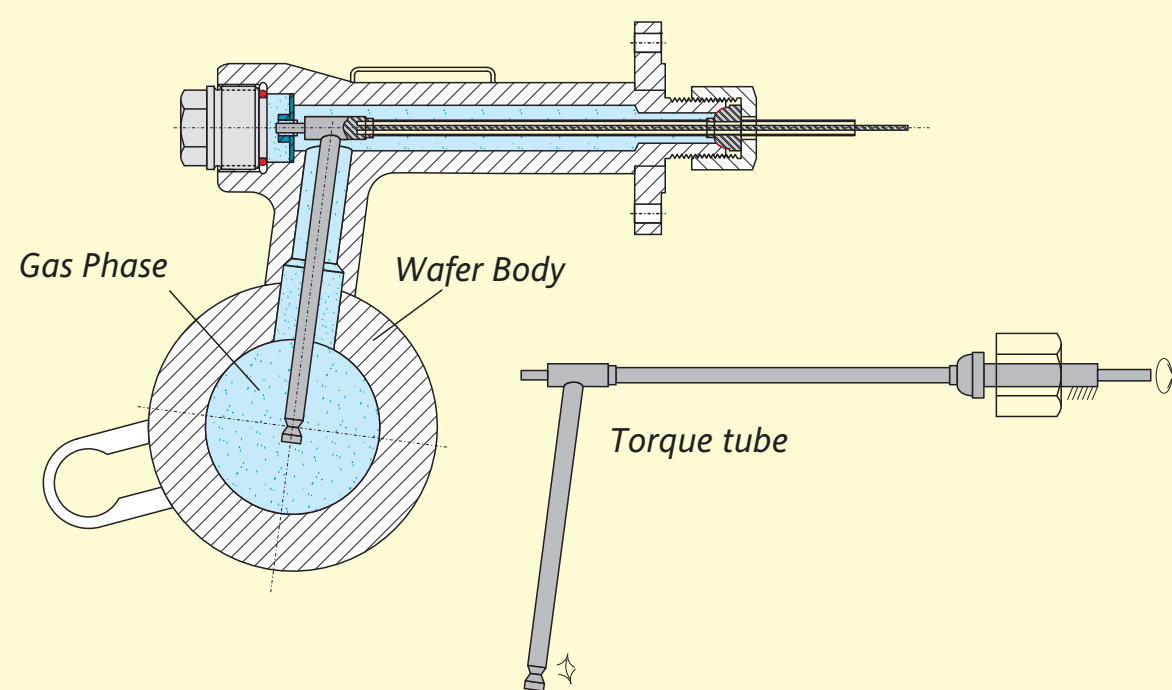
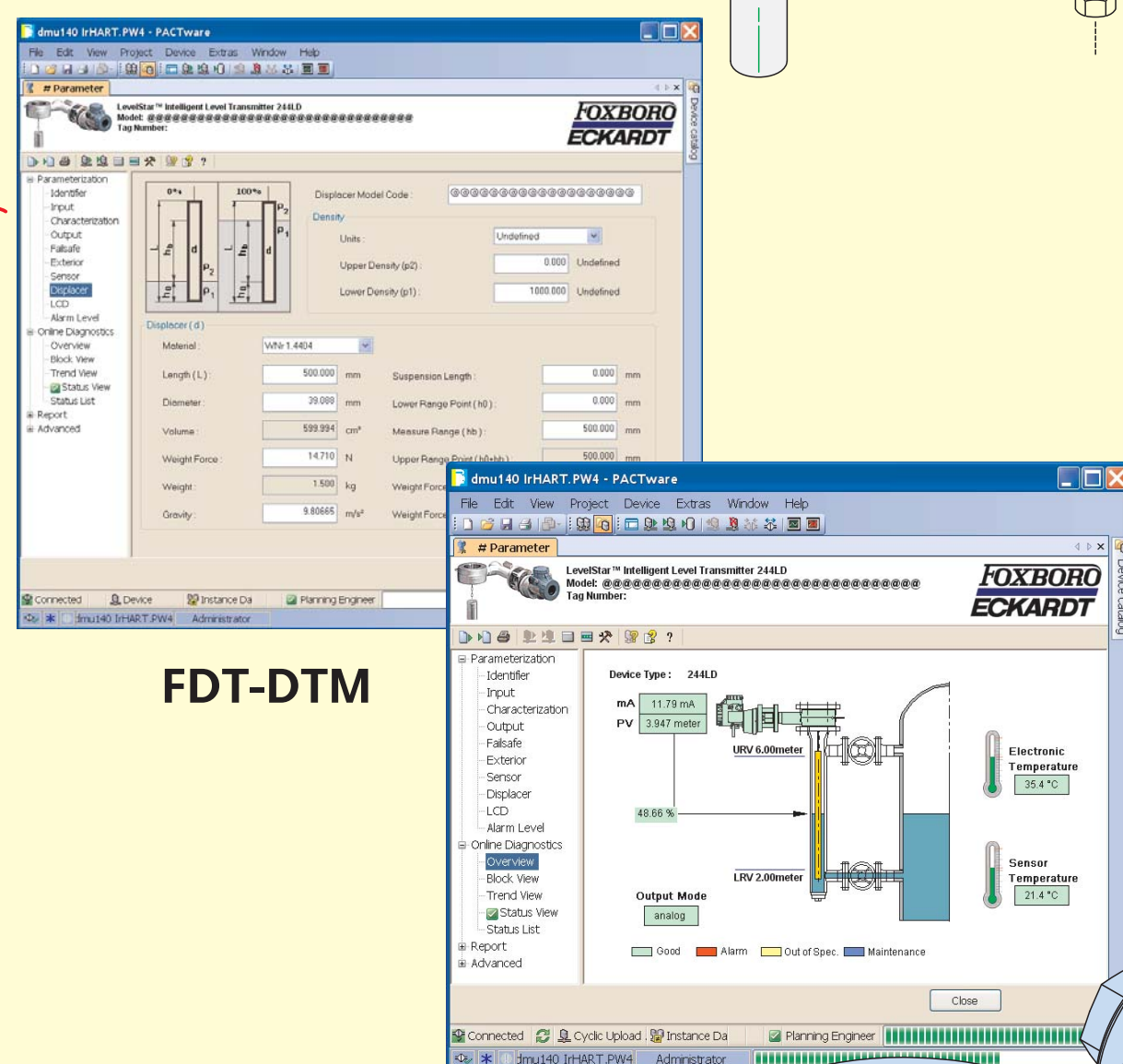
144LD
Intelligent Buoyancy Transmitter
Medium -196...+400°C, 100...2000 kg/m³
Ambient temp -40...+85°C
DN 80, DN 100, ANSI
PN 16...500, Meas.Length 5 cm...50 m
Span 2...20 N, Fv max 25 N
Outp 4-20mA / Hart / PB-PA / FF
+: Remote Amplifier Mounting Kit
+: with heating jacket

144LVD
Intelligent Buoyancy Transmitter
Medium -50...+120°C, 100...2000 kg/m³
Ambient temp -40...+85°C
DN 80, DN 100, ANSI
PN 16...500, Meas.Length 5 cm...50 m
Span 2...20 N, Fv max 40 N
Outp 4-20 mA / Hart / FoxCom / PB-PA / FF
+: Remote Amplifier Mounting Kit

- Electrical Classification:
- ATEX Intrinsic safety, Zone 0 - 1 - 2
 - ATEX Explosionproof
 - FM Nonincendive
 - FM & CSA Flameproof
 - FM & CSA Intrinsically safe
 - GOST-R Intrinsically safe
 - GOST-R Explosionproof
 - NEPSI Intrinsically safe
 - NEPSI Explosionproof
 - and more...



244LD
LevelStar

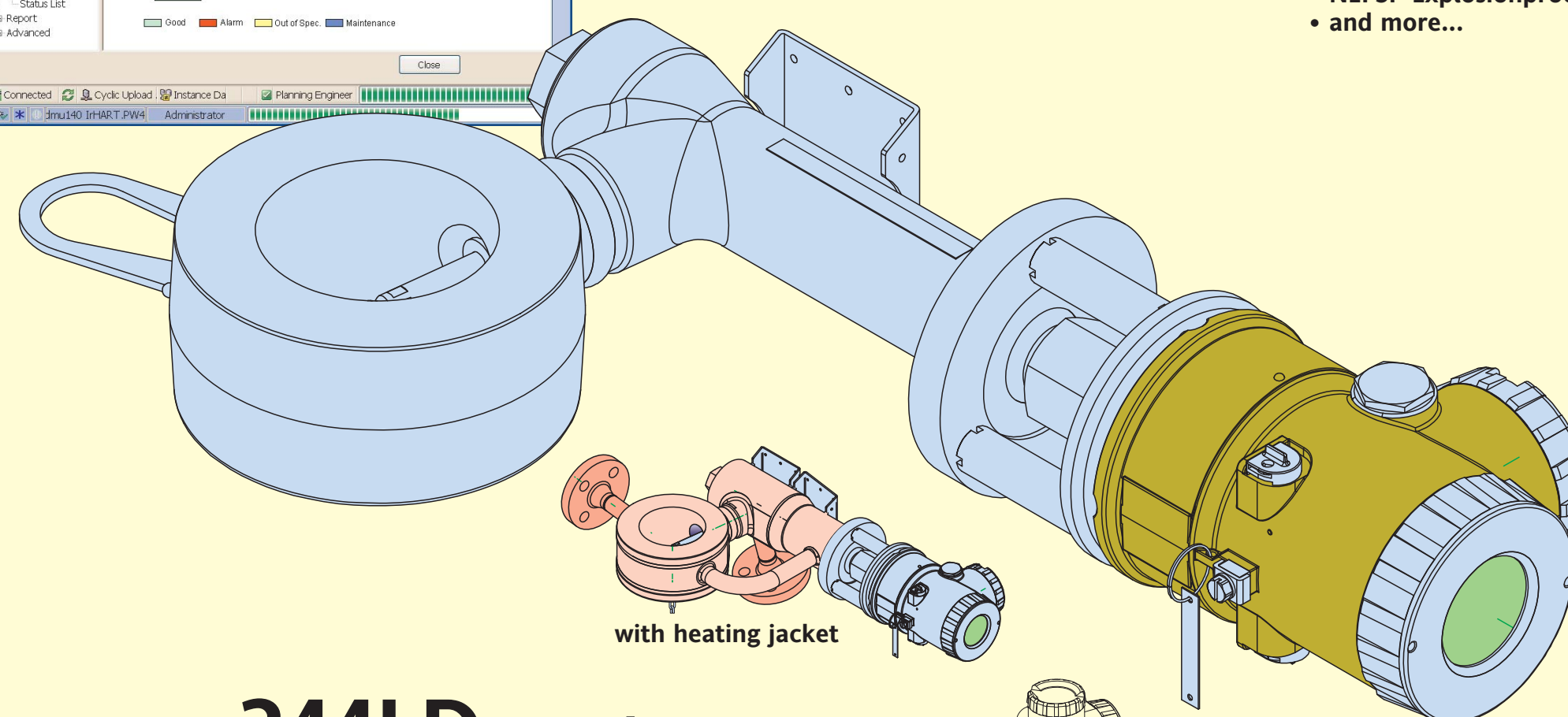


Materials (144LD / 244LD / 167LP):
Wafer Body Material (process wetted):

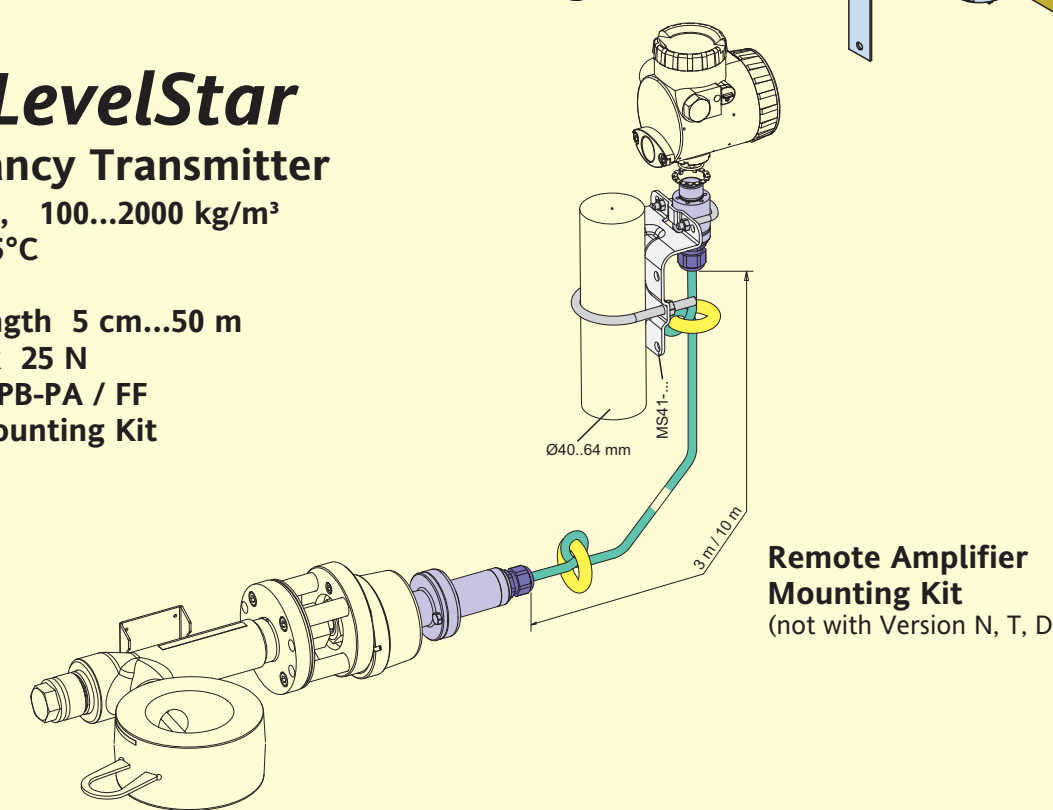
- Carbon Steel 1.0460
- 1.4404, equivalent to 316L / 1.4435
- Duplex - 1.4462
- Inconel 825 - 2.4858
- Hastelloy C - 2.4811

Torque Tube Material (process wetted):

- 1.4404, equivalent to 316L
- Hastelloy C
- Inconel 600 - 2.4816
- Monel K500 - 2.4375



244LD LevelStar
Intelligent Buoyancy Transmitter
Medium -196...+500°C, 100...2000 kg/m³
Ambient temp -40...+85°C
DN 80, DN 100, ANSI
PN 16...500, Meas.Length 5 cm...50 m
Span 2...20 N, Fv max 25 N
Outp 4-20 mA / Hart / PB-PA / FF
+: Remote Amplifier Mounting Kit
+: with heating jacket



167LP
Pneumatic Buoyancy Transmitter
Medium -196...+400°C, 100...1600 kg/m³
Ambient temp -40...+90°C
DN 80, DN 100, ANSI
PN 16...500, Meas.Length 35 cm...3 m
Span 3...15 N, Fv max 25 N
Outp 0.2...1 bar
+: with heating jacket

204BCF

204DE

204DC

Many custom versions available on request.

<http://www.foxboro-eckardt.com>

FOXBORO
ECKARDT